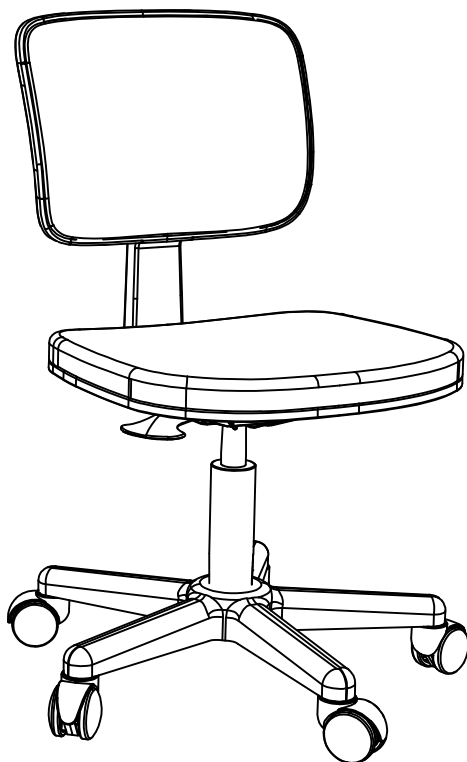


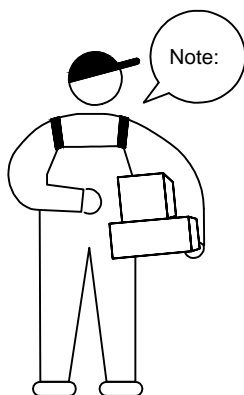


# 03 E-commerce Chair Series Installation Manual

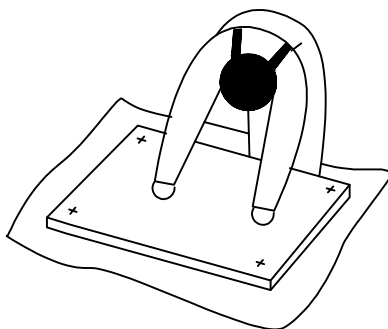


This manual is used for the installation of  
CAM0360BW&CAM0361BW&CAM0362BW&CAM0363BW  
Please read this manual carefully before use and keep it properly.

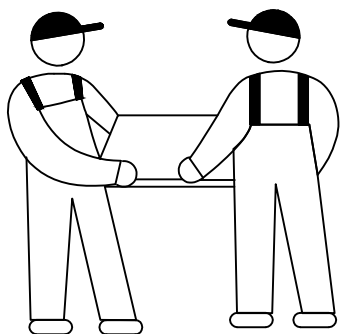
## Assembly note:



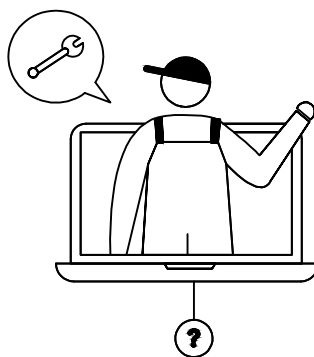
- Use a protective mat and handle the product with care.



- At least two people are required.



- Contact Sunon if you have any confusions.

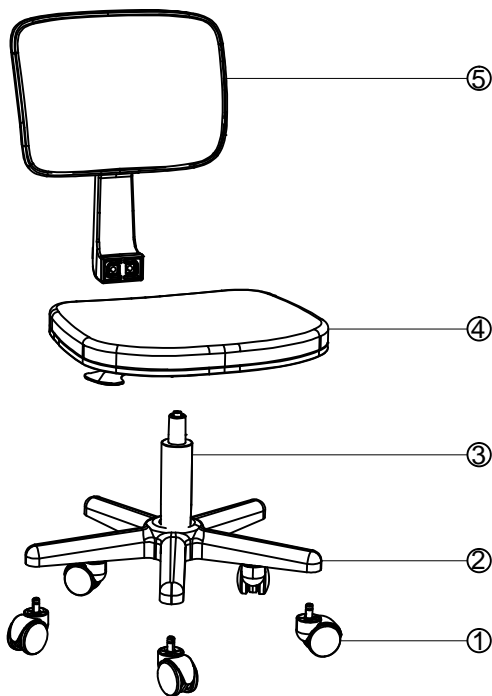


---

This picture shows all the accessories required, among which some are key accessories.  
If you have missed any, please contact Sunon at 949-337-8838

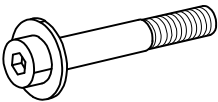

---

## Exploded diagram:



| No. | Name           | Pcs |
|-----|----------------|-----|
| 1   | caster         | 5   |
| 2   | five-star base | 1   |
| 3   | gas lift       | 1   |
| 4   | seat           | 1   |
| 5   | backrest       | 1   |

## Accessory list:

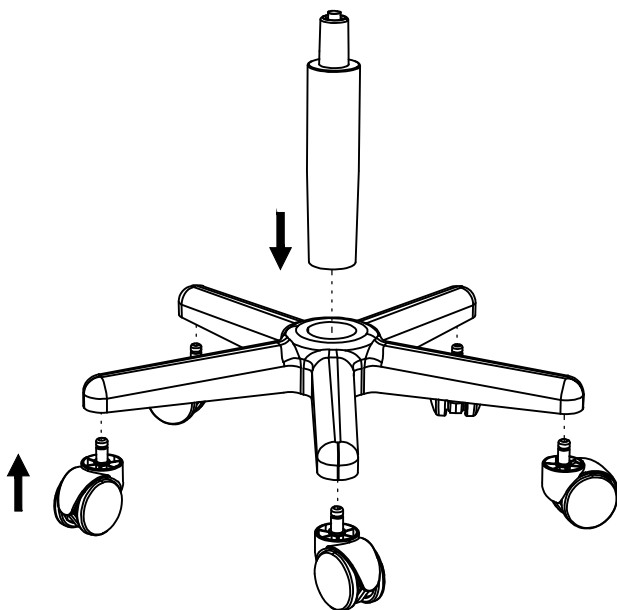
| A  |       |   | B   |    |   |
|--|-------|---|---|----|---|
|  |       |   |  |    |   |
| Screw with gasket  | M8*55 | 2 | Allen wrench  | 5# | 1 |

---

1. First fit casters into the five-star base. Then insert the bottom end of the gas lift into the central hole of the base.

---

# 1

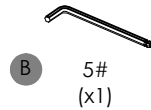
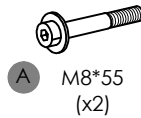
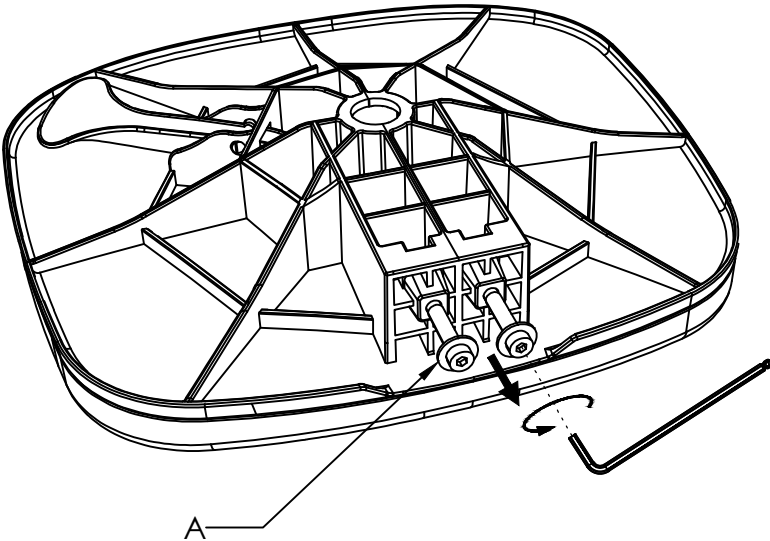


---

2. Remove the two pre-assembled screws with gaskets from the seat before installation.

---

# 2

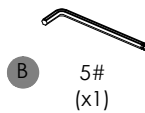
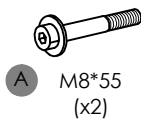
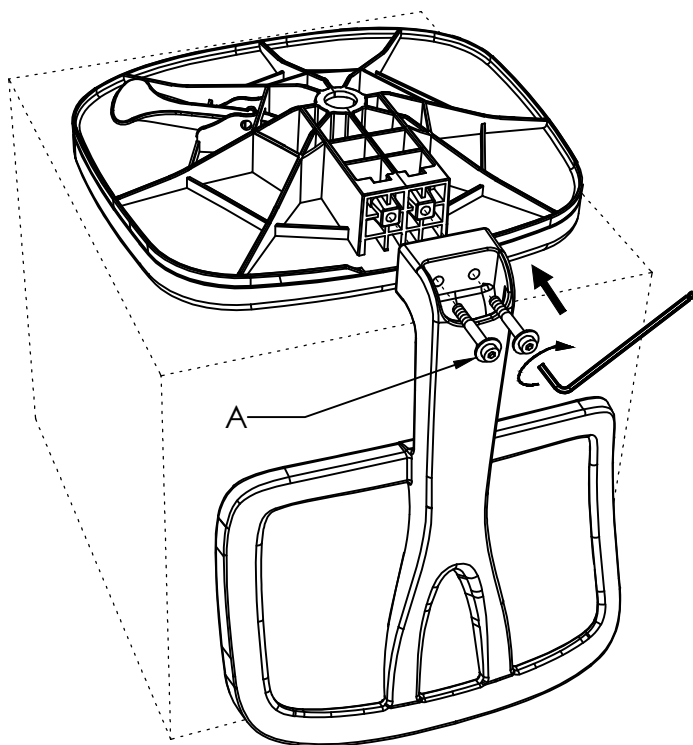


---

3. Fix the backrest to the seat and tighten the screws.

---

# 3

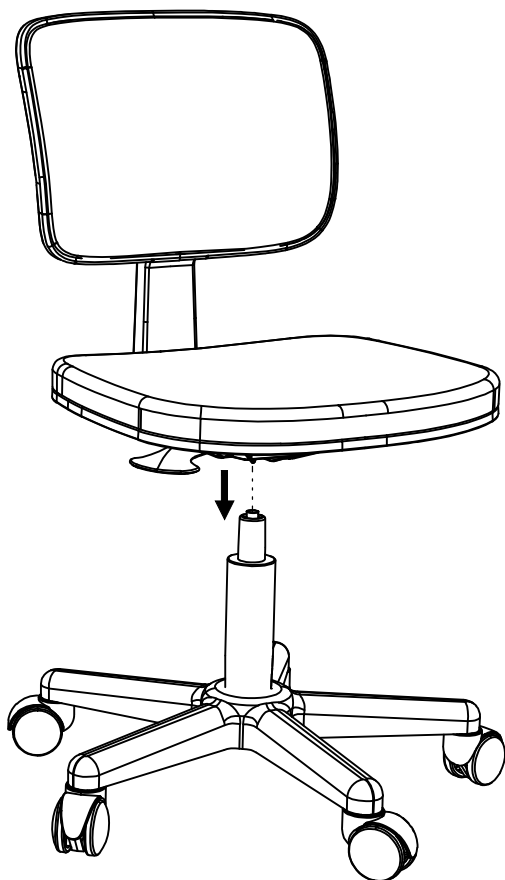


---

4. Align the mechanism's hole of pre-assembled seat body with gas lift, then put the seat down.

---

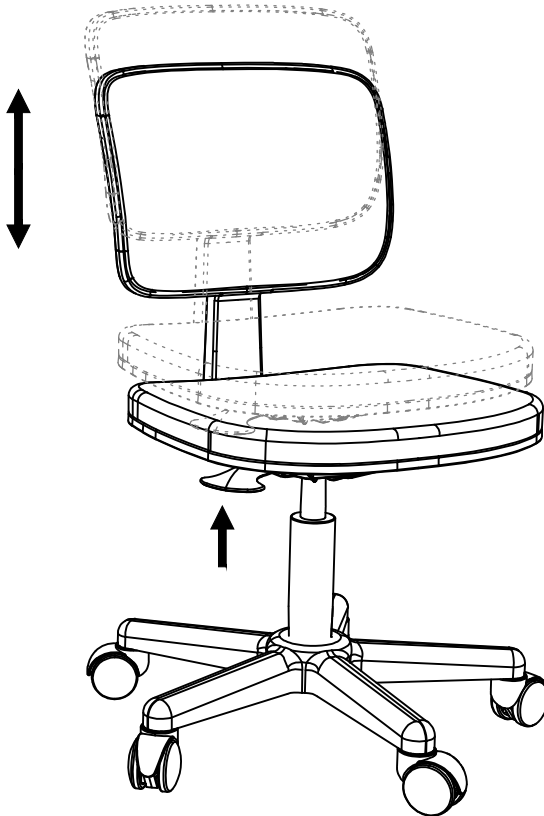
# 4



Done!



## Function:

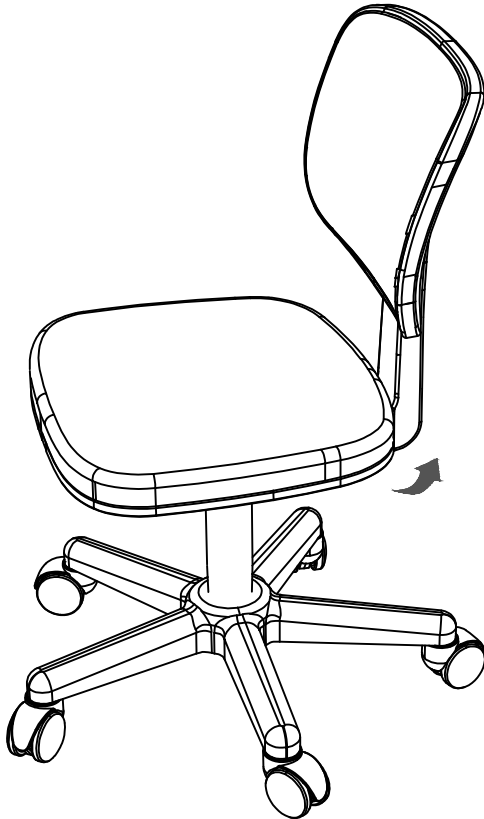


### 1. Adjust Seat Height

Upward: get your body off the seat and pull the lever to lift the seat to the appropriate height.

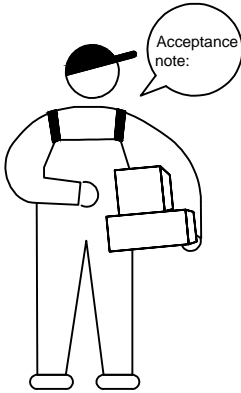
Downward: press down and pull the lever to lower the seat to the appropriate height.

## Function:

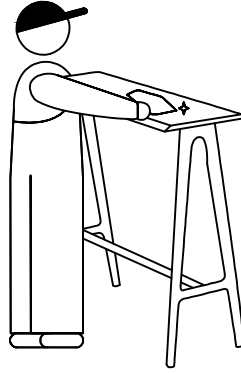


2. Seat cover can be removed for cleaning  
Remove the cover from the end of seat.

# Acceptance note:



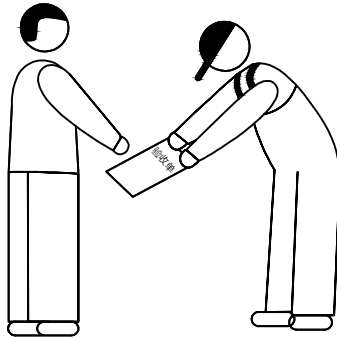
● Clean the surface.



● Tidy up.



● Check and deliver.



# Sunon

📍 Suite 150, Building 525 Technology Drive, Irvine, CA.92618

🔍 [sunonglobal.com](http://sunonglobal.com)

📞 949-337-8838

✉ [info.us@isunon.com](mailto:info.us@isunon.com)

