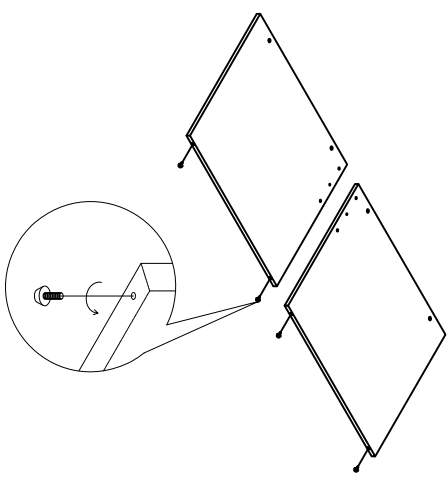


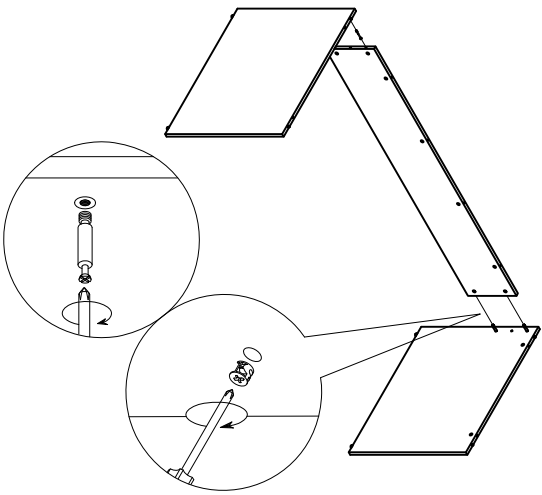
A	L=15mm 0pcs	B	∅20*0.2 0pcs	C	M6*18 2PCS
D	160*13*11 6pcs	E	M4*22 12pcs	F	ST4*35 8pcs
G	301*13*3.8 2pcs	H	24*13*1.7 4pcs		

C	M6*18 4PCS



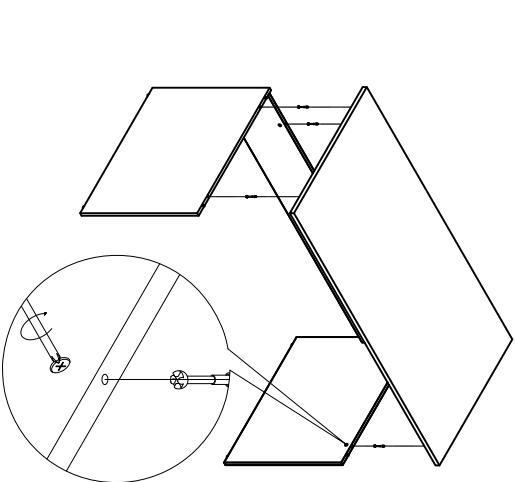
STEP 2:

A	L=15mm 4pcs	K	∅20*0.2 5pcs		



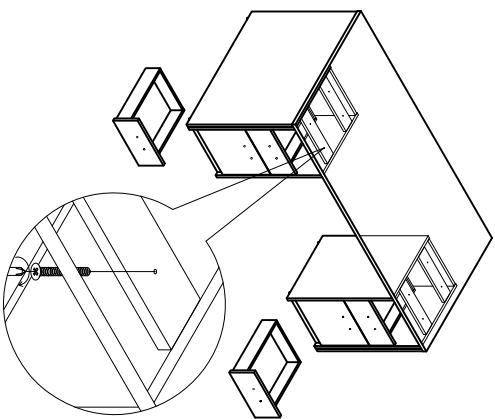
STEP 3:

E	L=15mm 3pcs	K	∅20*0.2 5pcs		



STEP 4:

F	ST4*35 8pcs	C	M6*18 8PCS



STEP 4:

D	160*13*11 6pcs	E	M4*22 12pcs	G	301*13*3.8 2pcs
H	24*13*1.7 4pcs				

