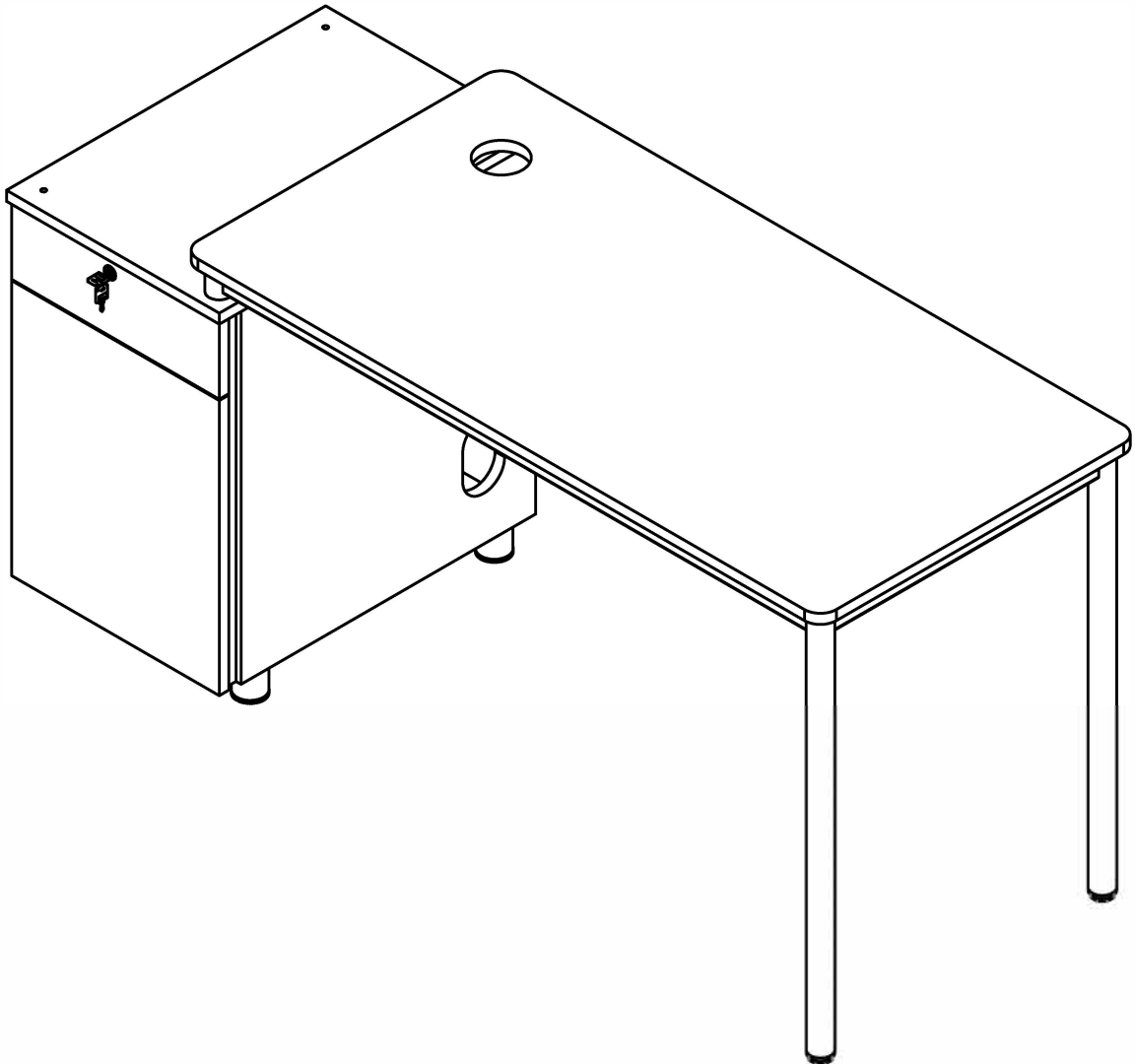




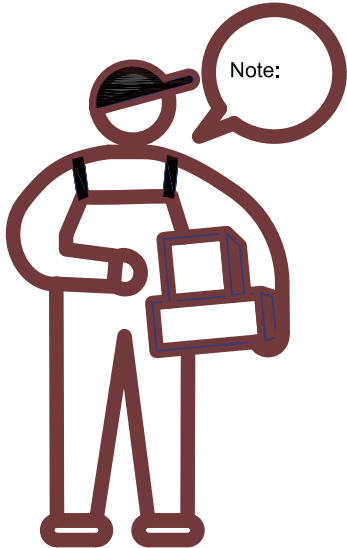
# Marina DTM6000 Installation Manual



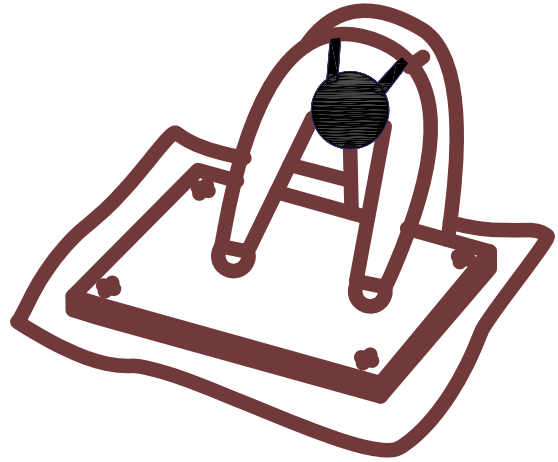
This manual is used for the installation of DTM6000L/R-4.153060employee desk with cabinet.

Please read this manual carefully before use and keep it properly.

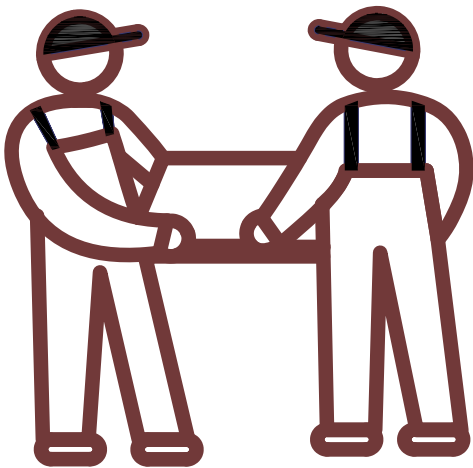
## Assembly note:



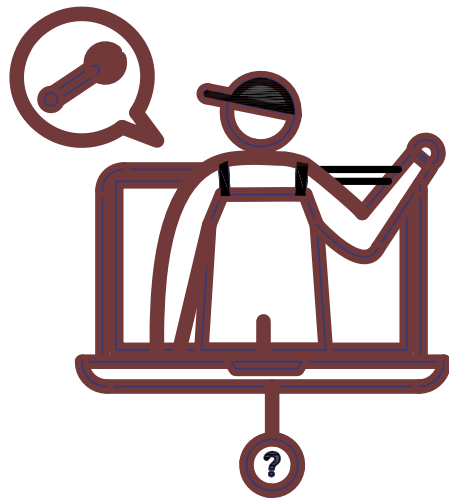
- Use a protective layer and handle the product with care.



- At least two people are required.

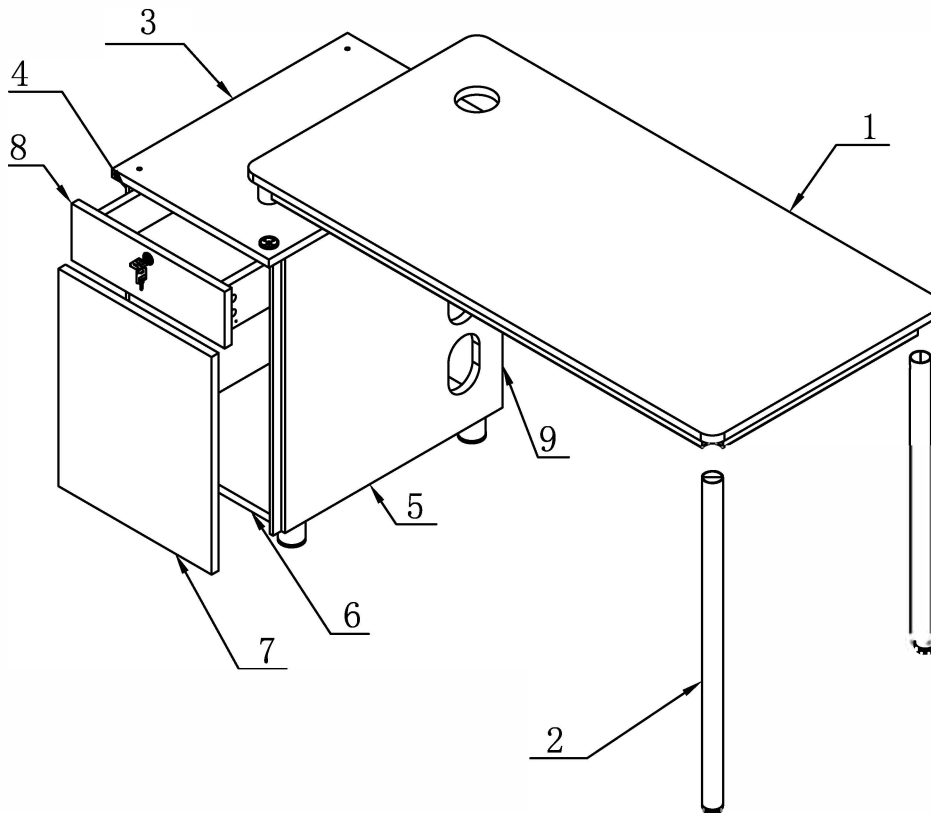


- Contact Sunon if you have any confusions.








This picture shows all the accessories required, among them some are key accessories.  
 If you have missed any, please contact Sunon. Tel:+86-400-8600-666

Explosion diagram:



No.	Name	Pcs	No.	Name	Pcs	No.	Name	Pcs
1	desktop	1	4	left side panel	1	7	door panel	1
2	leg	2	5	right side panel	1	8	drawer	1
3	top panel	1	6	bottom panel	1	9	back panel	1

## Accessory list:

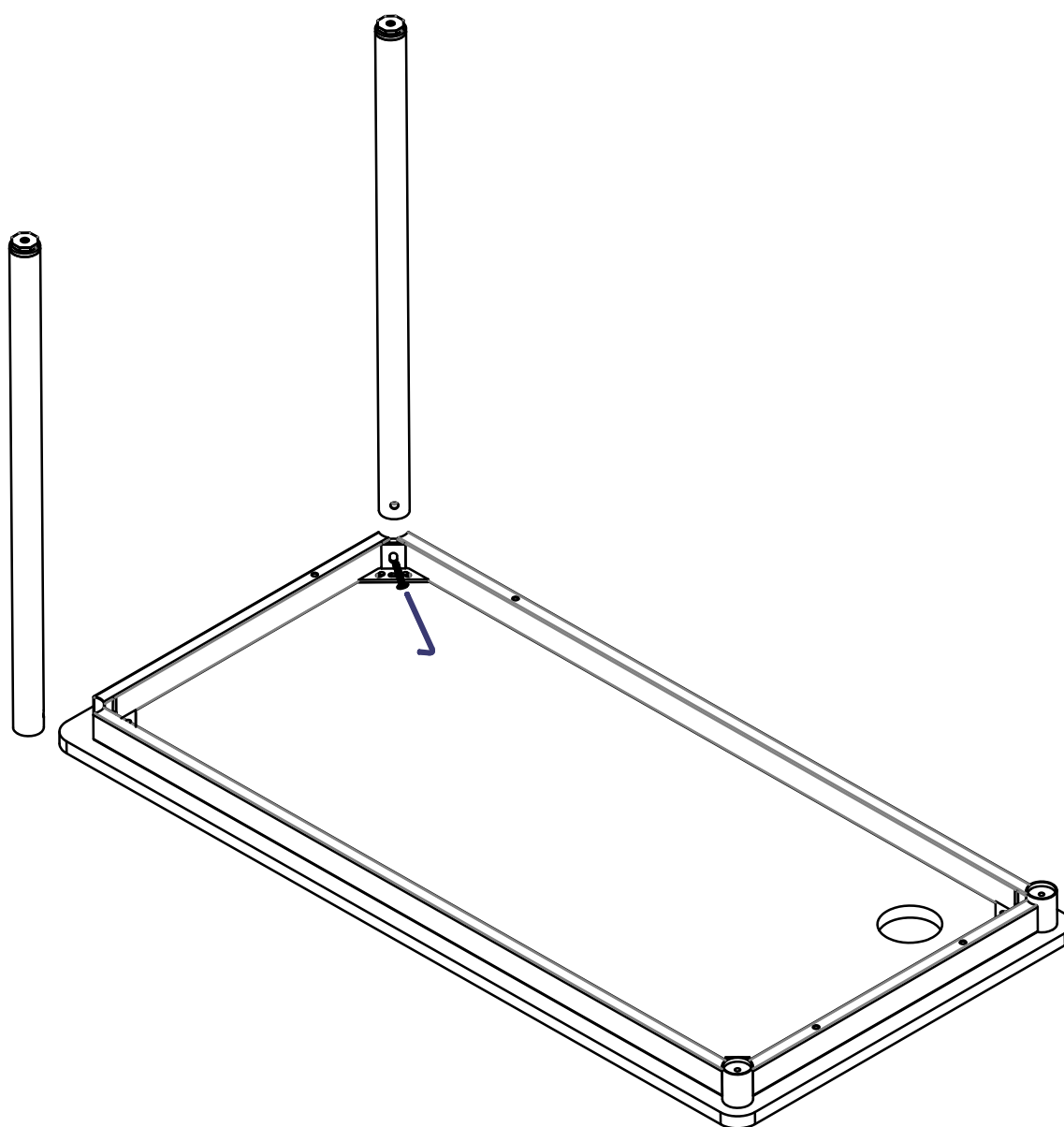
<b>A</b> 			<b>B</b> 			<b>C</b> 		
cross flat-head screw	M6x30	2	Allen wrench	6#	1	cross flat-head screw	M6x15	8
<b>D</b> 			<b>E</b> 			<b>F</b> 		
new three-in-one	Φ15x45	16	adjuster	Φ50x55	4	plastic piece	34.3x4.5	2
<b>G</b> 			<b>H</b> 			<b>I</b> 		
Locker	Φ 18	1	countersunk-head self-tapping screw	ST3.5x14	18	radiator	290x90x20	1
<b>J</b> 			<b>K</b> 			<b>L</b> 		
push-pull cable box	Φ80	3	ring sticker	Φ20x0.2	16	3-section rail	14 inch	1
<b>M</b> 			<b>N</b> 					
damping hinge full-overlay		2	hex screw	M8x40	2			

---

1. Install desktop and legs.

---

# 1



●  $\Phi 80$   
(1)

●  $M8 \times 40$   
(x2)

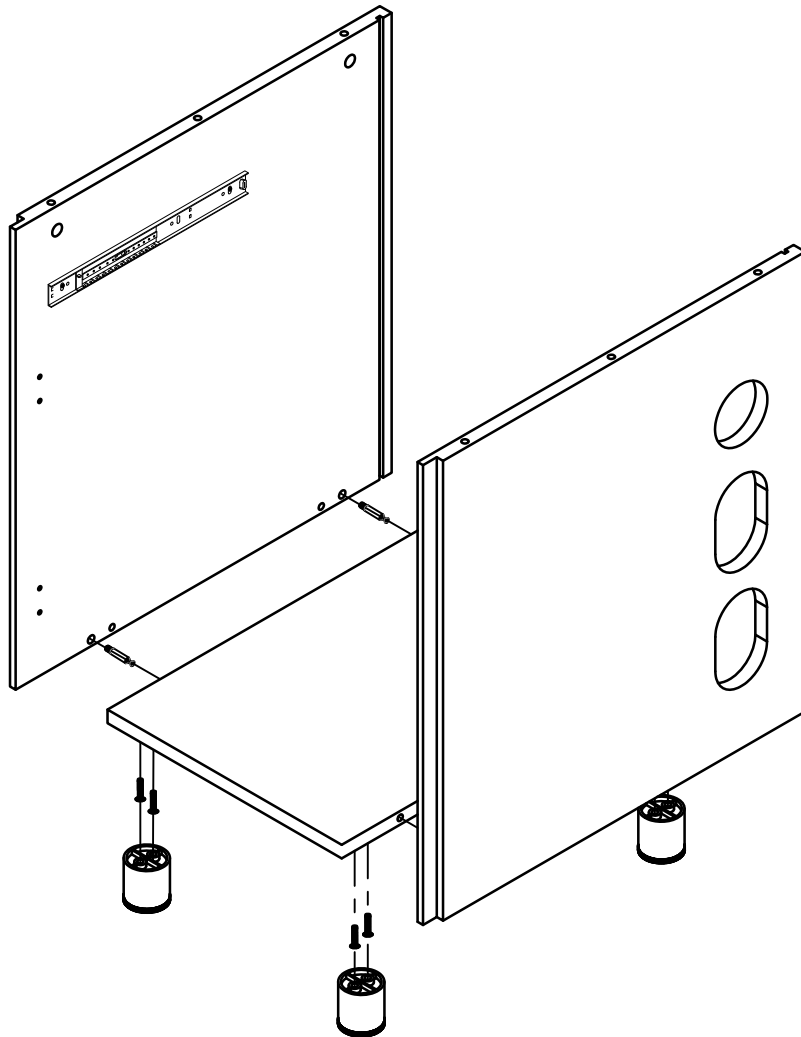
● 6#  
(x1)








---

1. Install adjusters, left and right side panels and bottom panels.

---

# 2



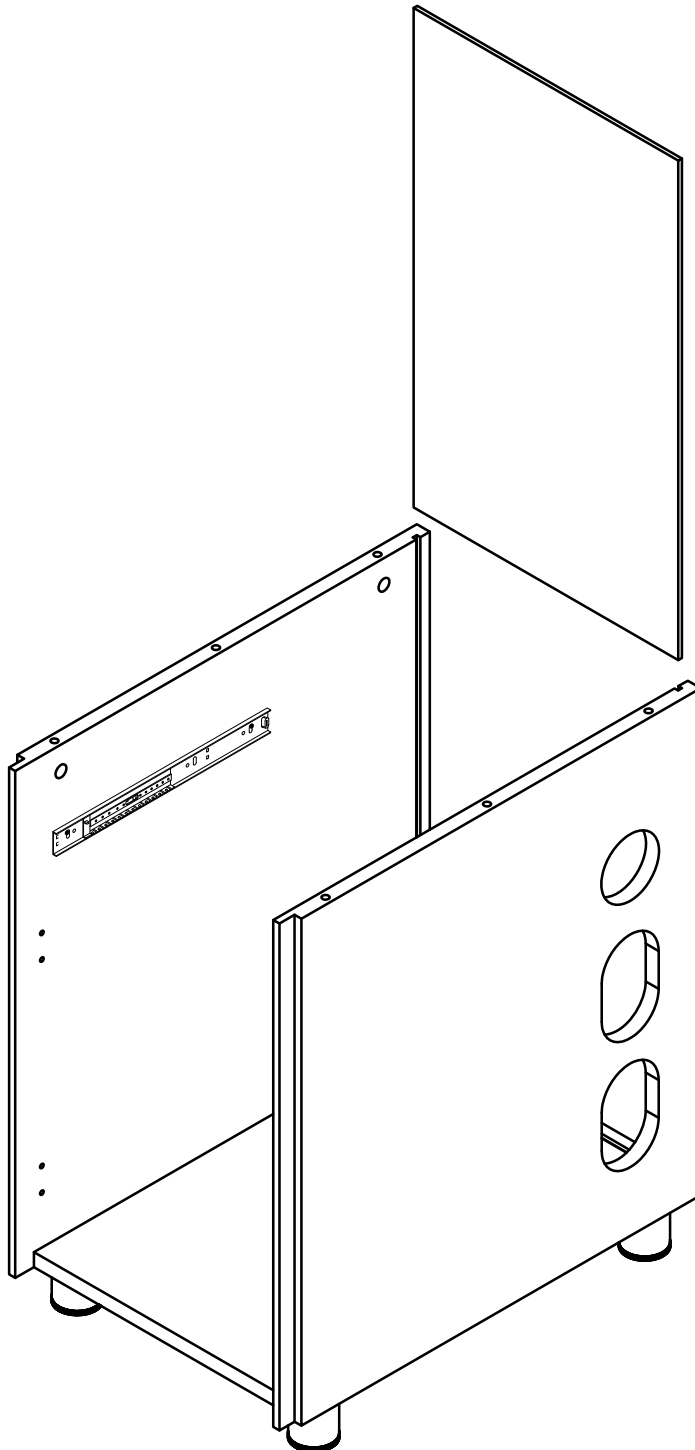
-   
⊗  $\Phi 20 \times 0.2$   
(x4)
-   
⊗  $\Phi 80$   
(x1)
-   
● 290x90x20  
(x1)
-   
● 14 inch  
(x1)
-   
● M6x15  
(x8)
-   
●  $\Phi 15 \times 45$   
(x4)
-   
● 50x55  
(x4)

---

1. Install the back panel.

---

**3**

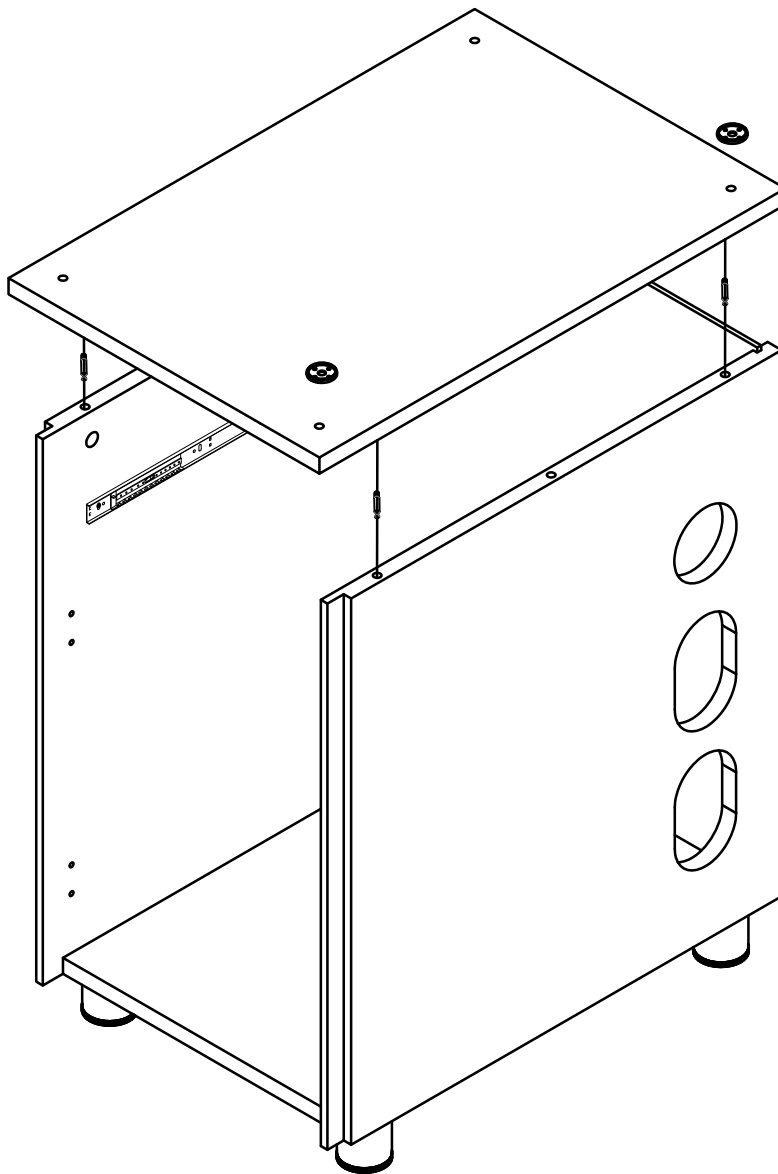






---

1. Install the top panel of side cabinet.

---

# 4



-   
⊗  $\Phi 20 \times 0.2$   
(x4)
-   
⊗ 34.3x4.5  
(x2)
-   
⊕  $\Phi 3.5 \times 14$   
(x4)
-   
⊕  $\Phi 15 \times 45$   
(x4)


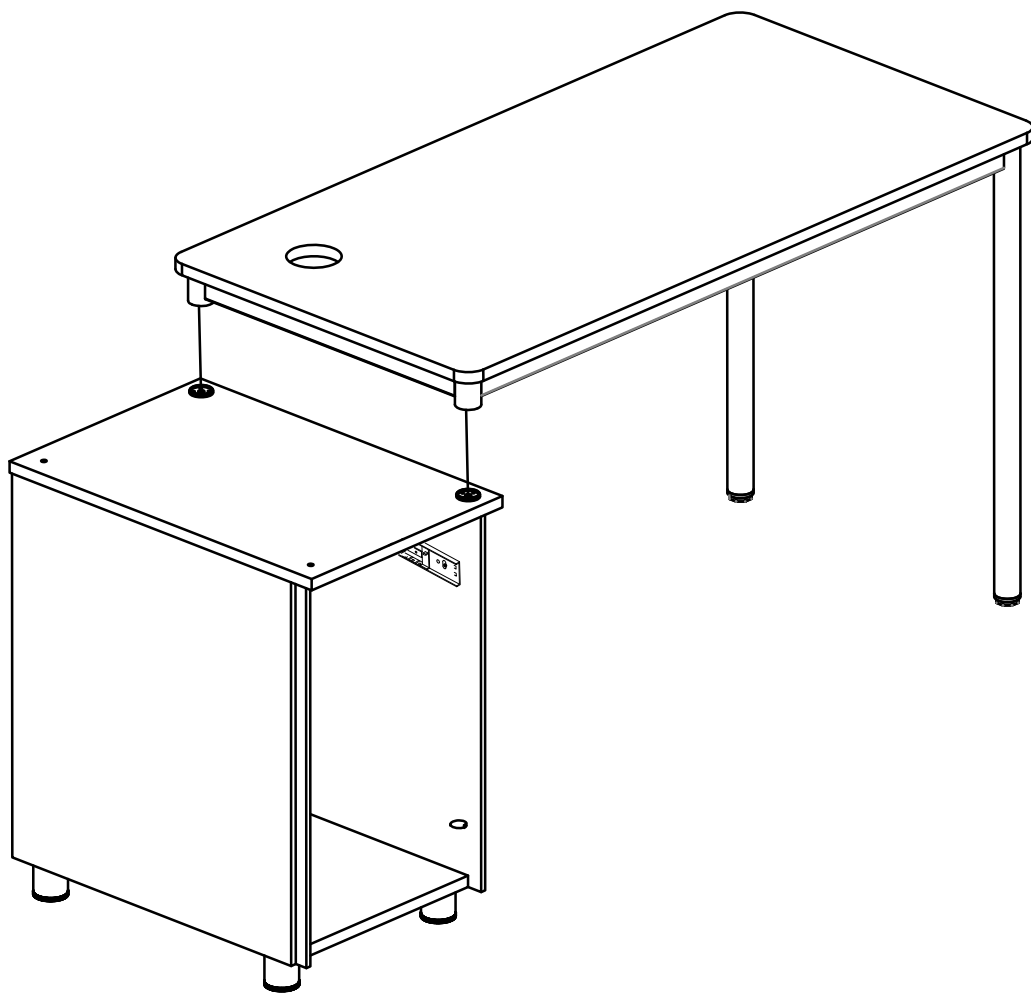


---

1. Connect the desktop to the side cabinet.

---

# 5



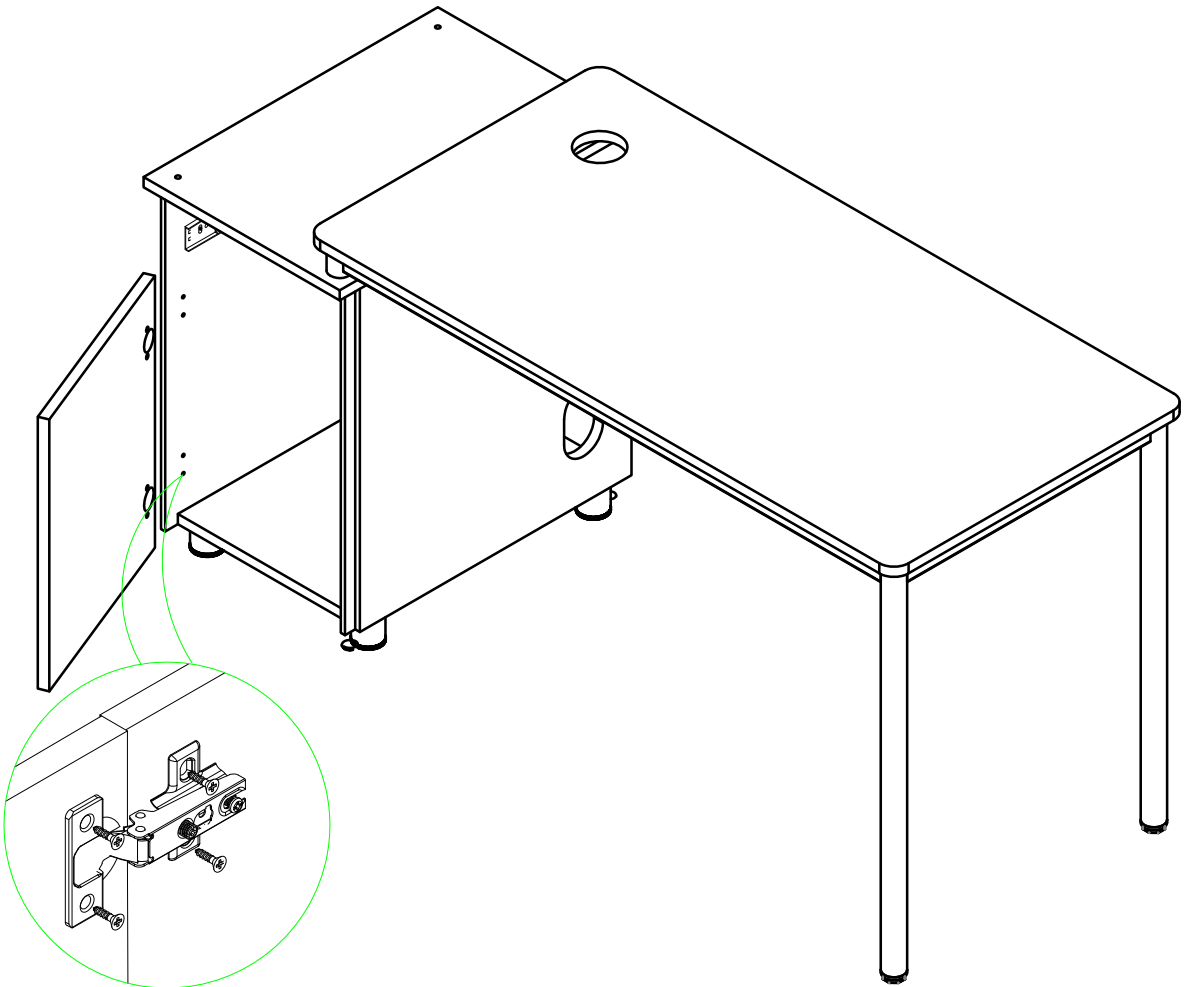
Ⓐ M6x30  
(x2)

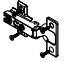
---

1. Install the door panel.

---

6



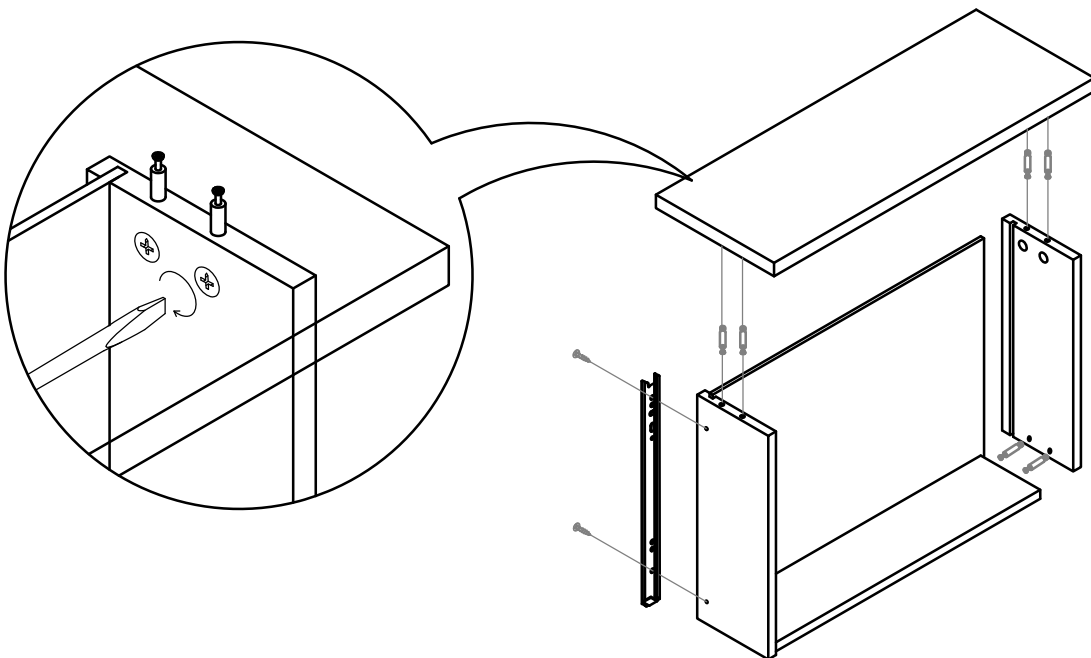
 full-overlay  
(x2)




---

1. Install the drawers.

---

# 7



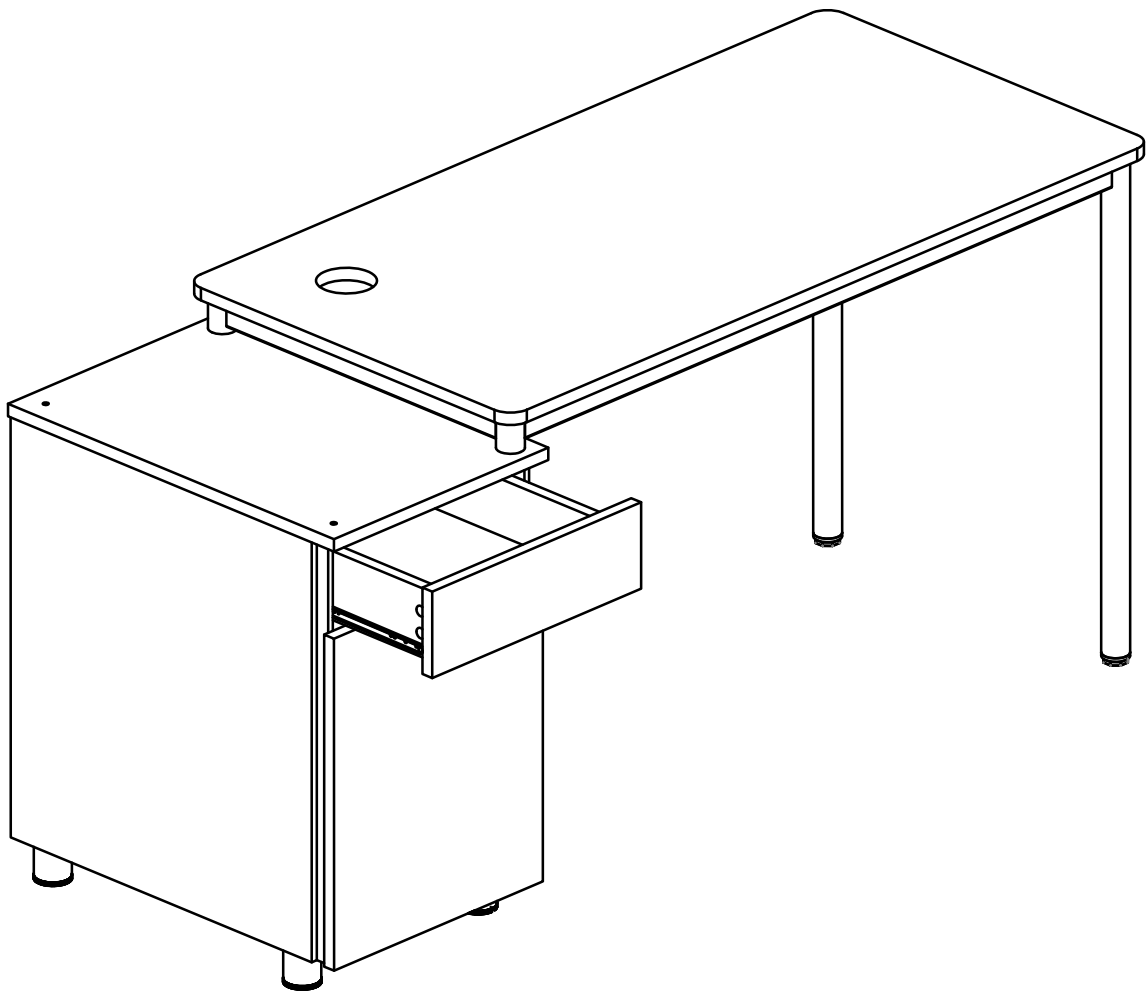
-  14inch (x1)
-   $\Phi 15 \times 45$  (x8)
-  ST4x10 (x6)

---

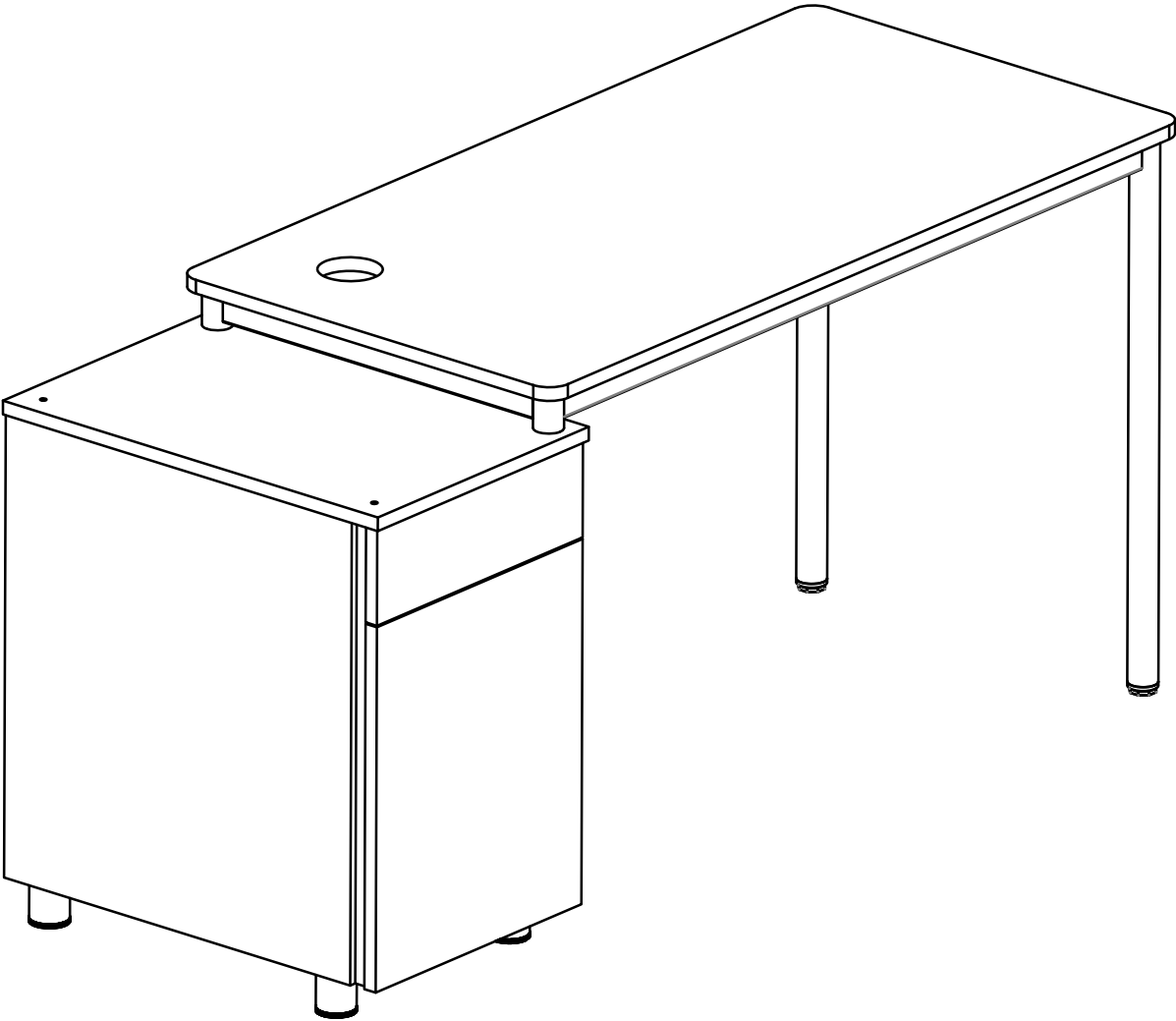
1. Install the drawers.

---

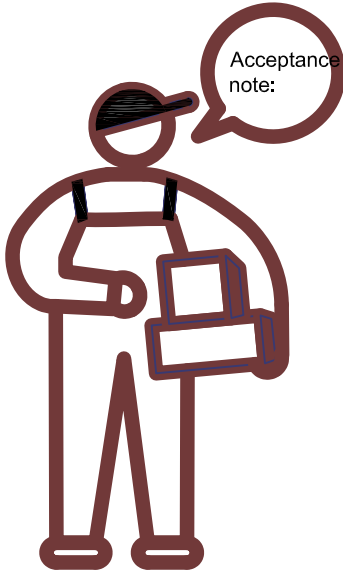
8



Done!



Acceptance note:



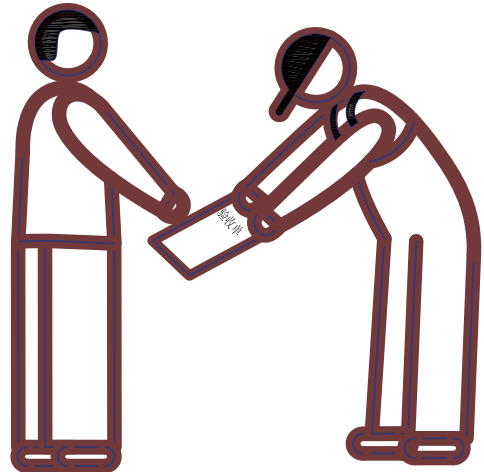
● Clean the surface.



● Tidy up the scene.



● Check and accept.



# Sunon

Suite 150, Building 525 Technology Drive, Irvine, CA.92618  
sunonglobal.com      949-337-8838      info.us@isunon.com

