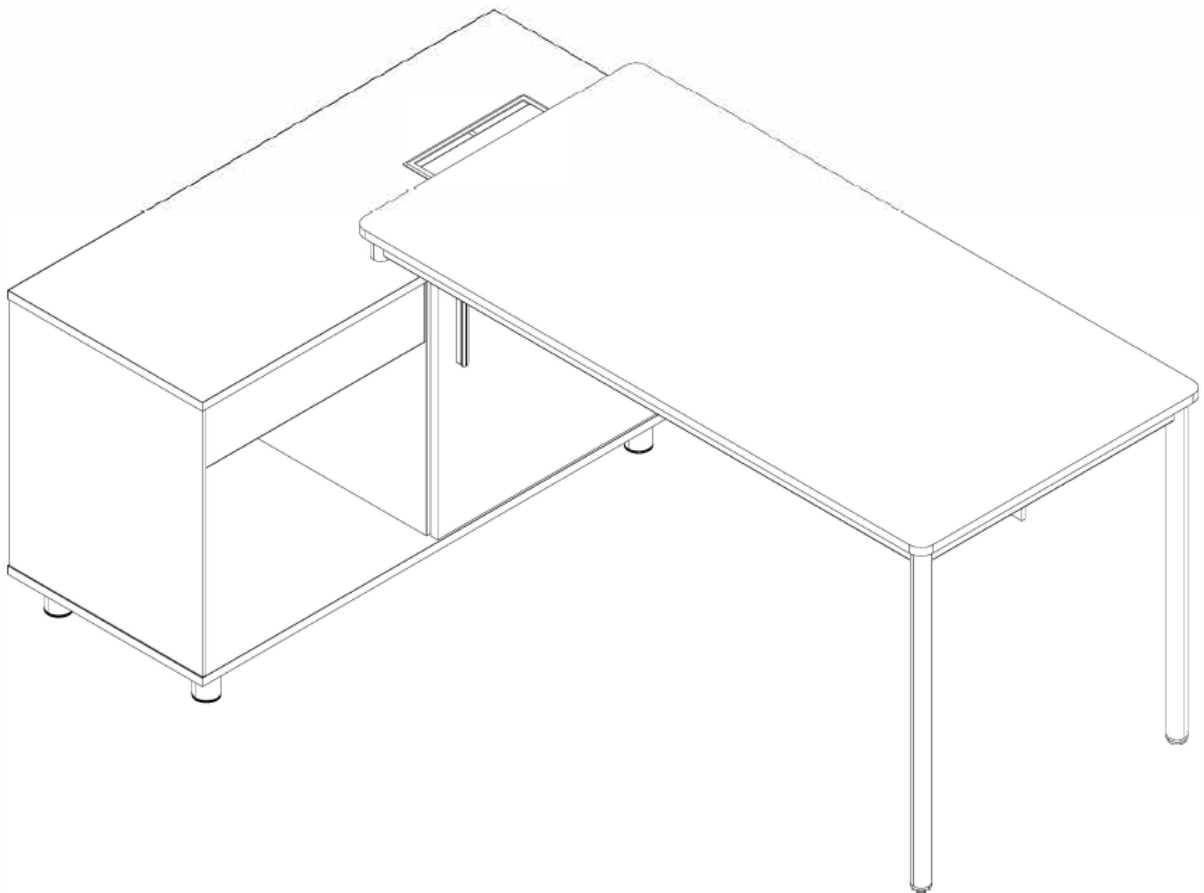


Sunon

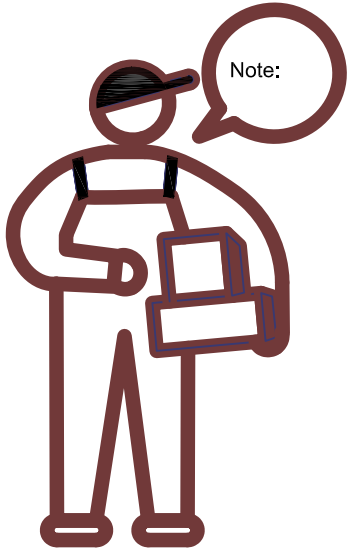
Marina DTM8000 Installation Manual



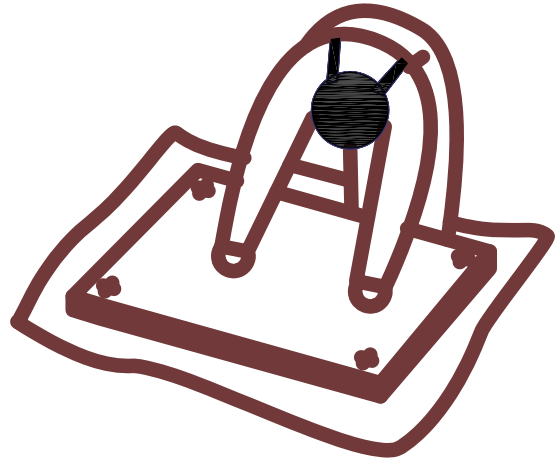
This manual is used for the installation of DTM8000L/R-4.175120 executive desk.

Please read this manual carefully before use and keep it properly.

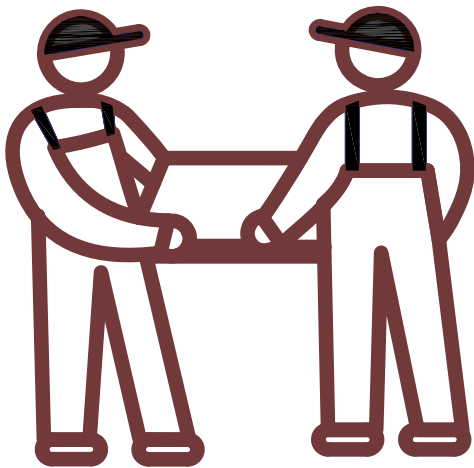
Assembly note:



● Use a protective layer and handle the product with care.



● At least two people are required.

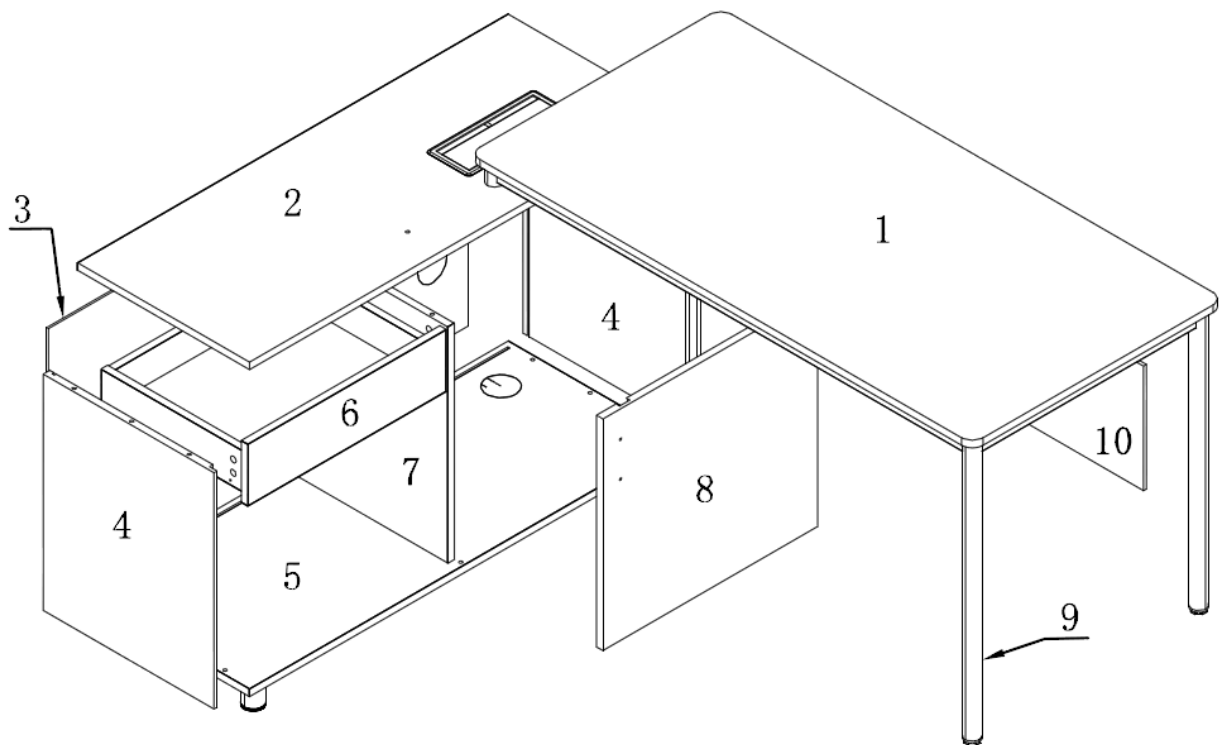


● Contact Sunon if you have any confusions.



This picture shows all the accessories required, among them some are key accessories.
 If you have missed any, please contact Sunon. Tel:+86-400-8600-666

Explosion diagram:








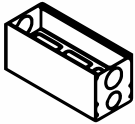
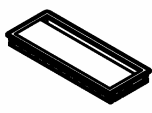


No.	Name	Pcs	No.	Name	Pcs	No.	Name	Pcs
1	desktop	1	4	side panel	2	7	standing panel	1
2	top panel	1	5	bottom panel	1	8	door panel	1
3	back panel	1	6	drawer	1	9	leg	2
10	modesty panel	1						

Accessory list:

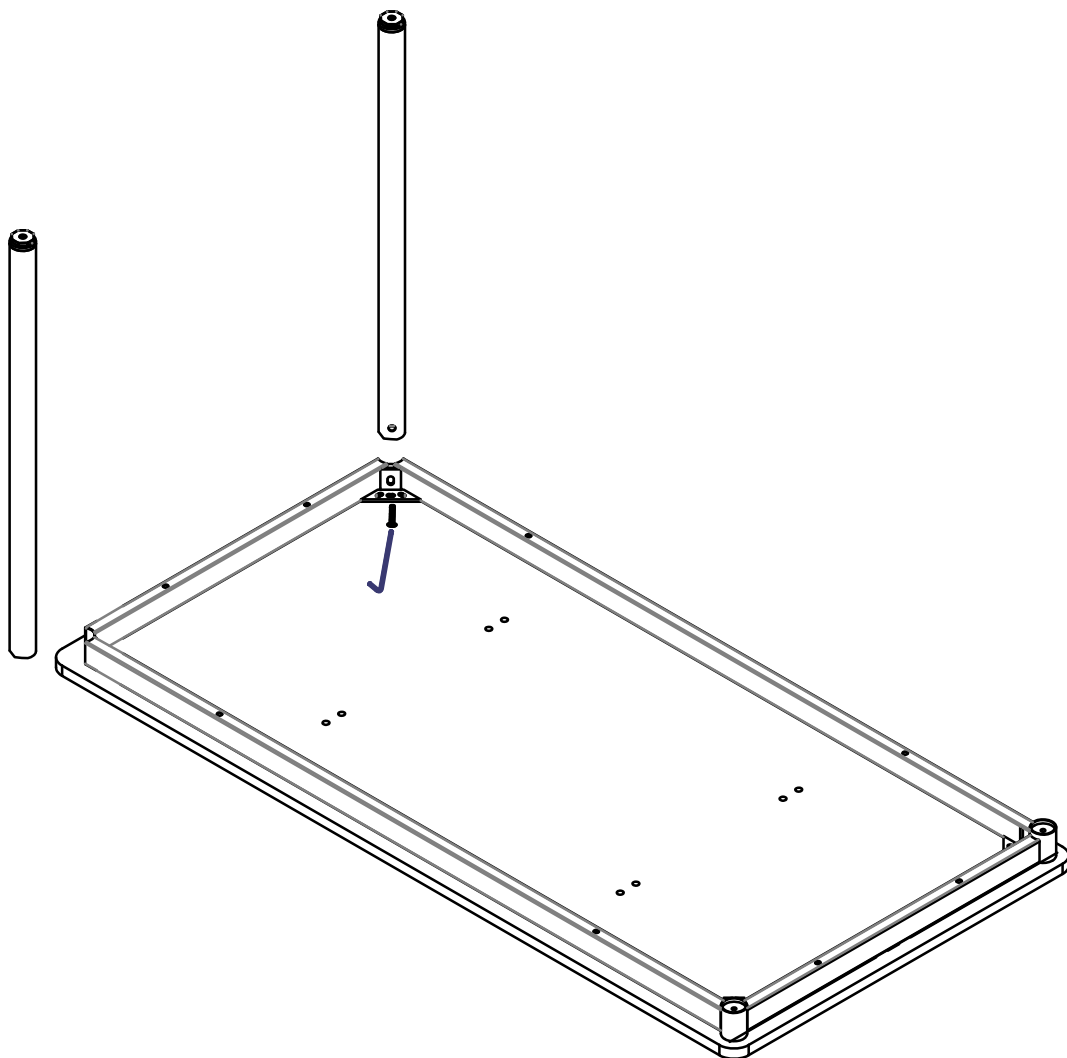
A 	B 	C 
cross flat-head screw M6x30 2	Allen wrench 6# 1	modesty panel main accessory 124*60*25 2
D 	E 	F 
modesty panel supplementary accessory 70*25*12 2	cross flat-head screw M6x15 8	cross flat-head screw M6x40 10
G 	H 	I 
adjuster φ50*55 5	adjuster pad Φ50x29 5	machine screw M7x38 6
J 	K 	L 
new three-in-one φ15x45 14	3-section rail 14 inch 1	countersunk-head tapping screw ST3.5x14 12
M 	N 	O 
handle screw M4x22 2	handle 160x21x15 1	radiator 290x90x20 1

Accessory list:

P 			Q 			R 		
hanging wheel		2	guiding nail	φ8x20	1	push-pull cable box	φ80	2
S 			T 			U 		
ring sticker	Φ20x0.2	14	round-head tapping screw	ST3x16	5	plastic piece	34.3*4.5	2
V 			W 					
hex screw	M8x40	2	Wire box	287*110.5*112	1	Flip-wire Box	300*120*27	1

1. Install the desktop and legs.

1

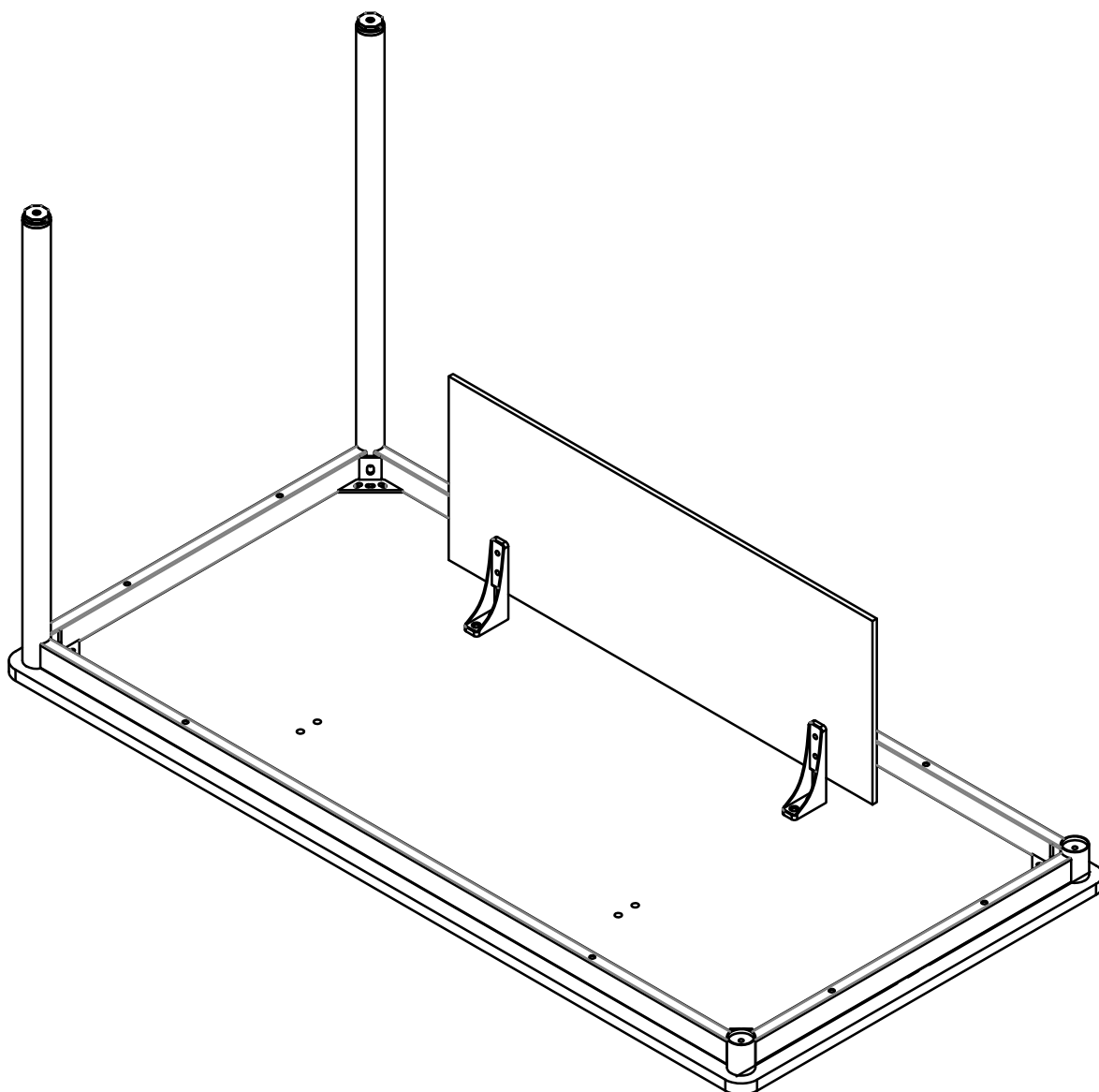





✓
Ⓟ 6#
(x1)

↑
Ⓟ M8x40
(x2)

1. Install the modesty panel.

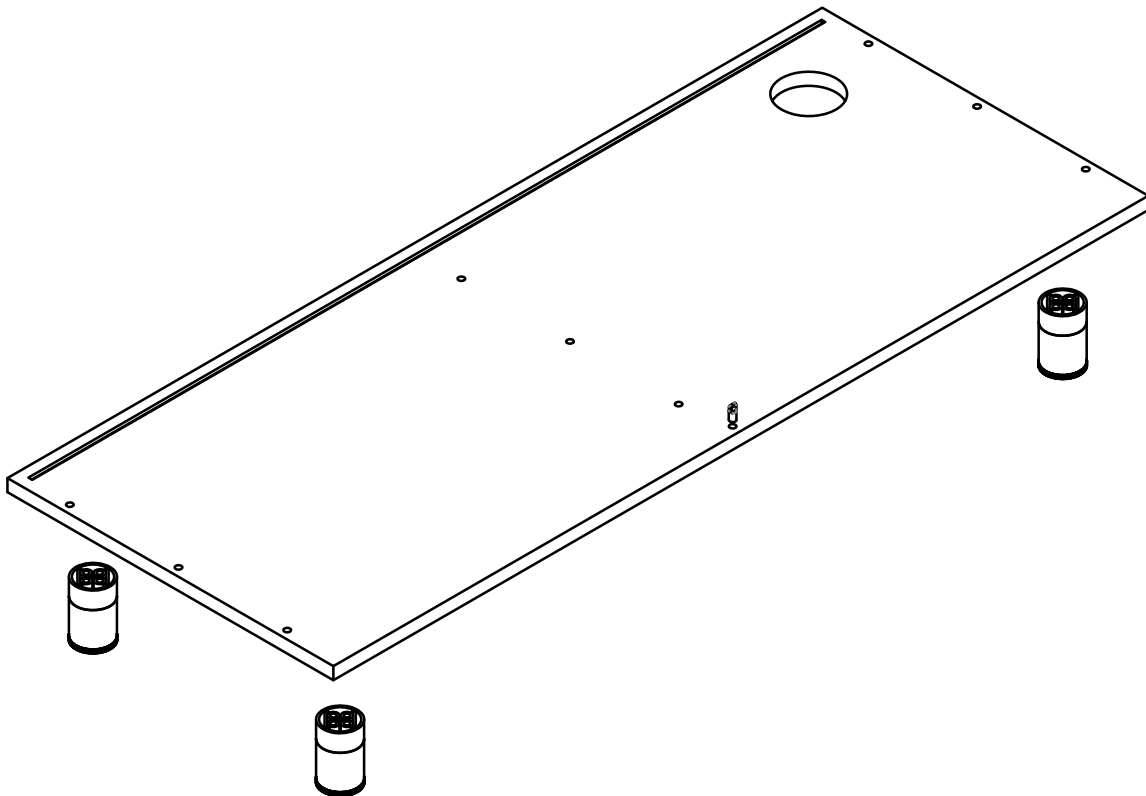
2





- 
E M6x15
(x8)
- 
G 124x60x25
(x2)
- 
D 70x25x12
(x2)


1. Connect adjusters to the bottom panel.


3





R $\phi 80$
(x1)


G $\phi 8 \times 20$
(x1)

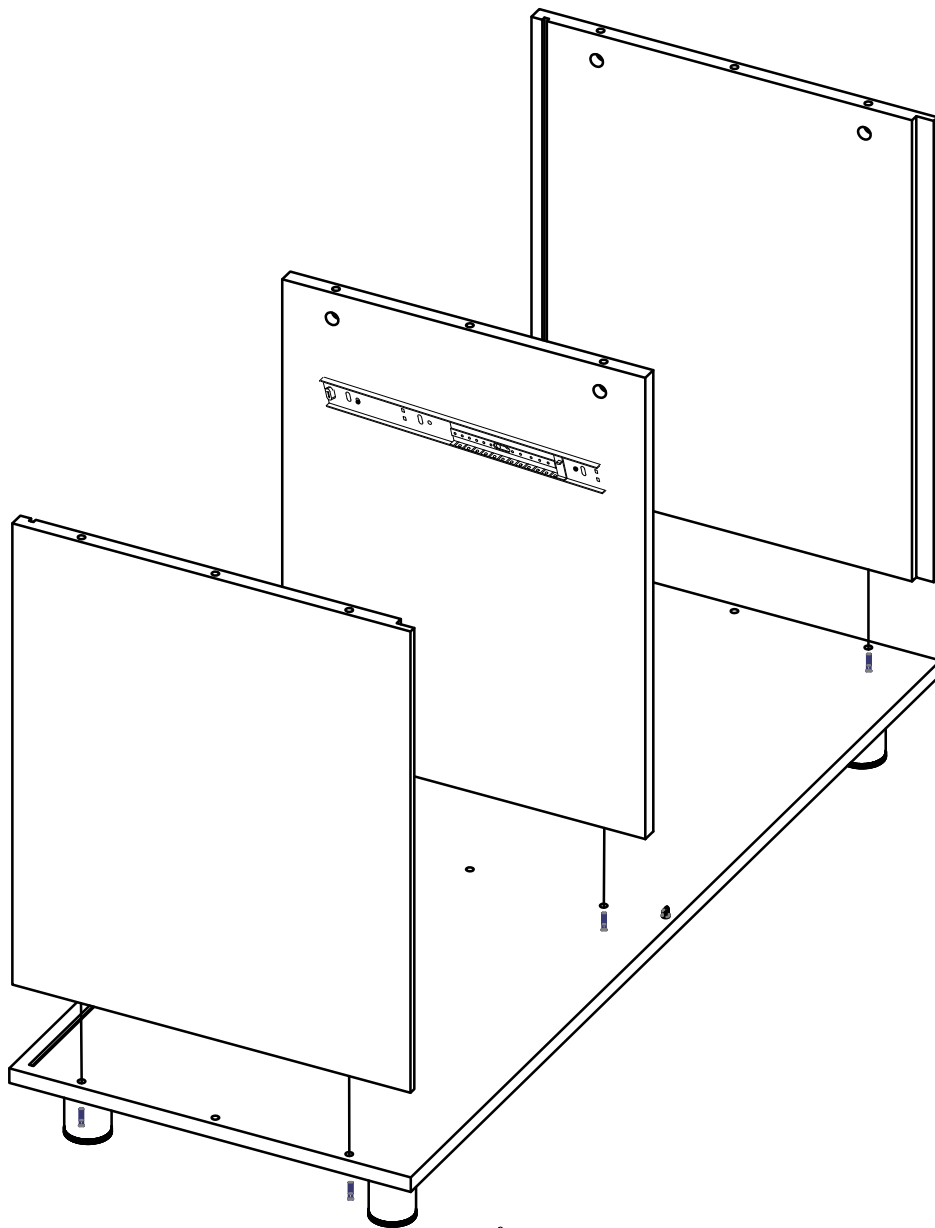

F M6x40
(x10)





G $\phi 50 \times 55$
(x5)


H $\phi 50 \times 29$
(x5)

1. Install standing/side/bottom panels.


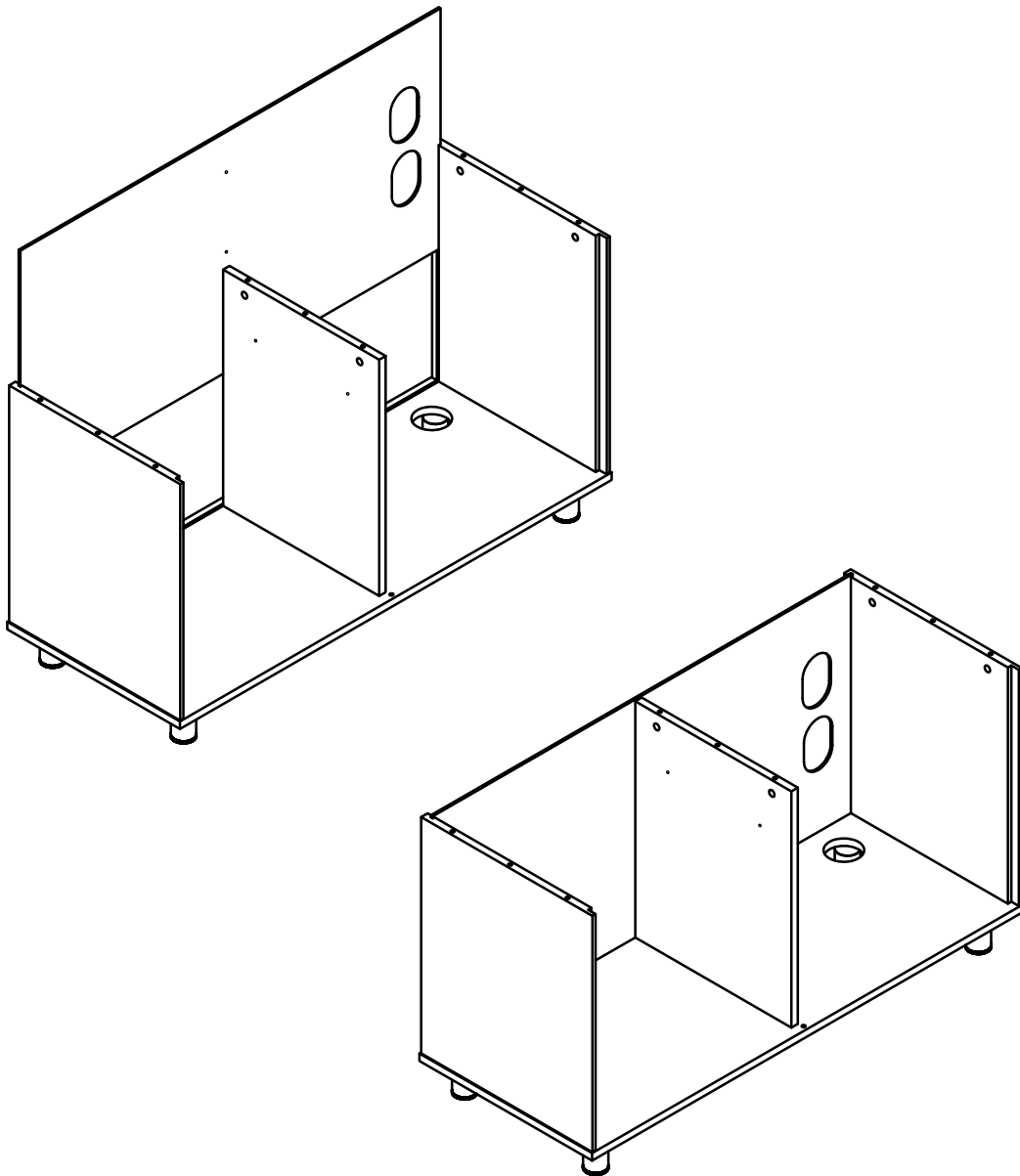
4




-  14 inches (x1)
-  ST3.5x14 (x4)
-  M7x38 (x6)

1. Install the back panel.

5



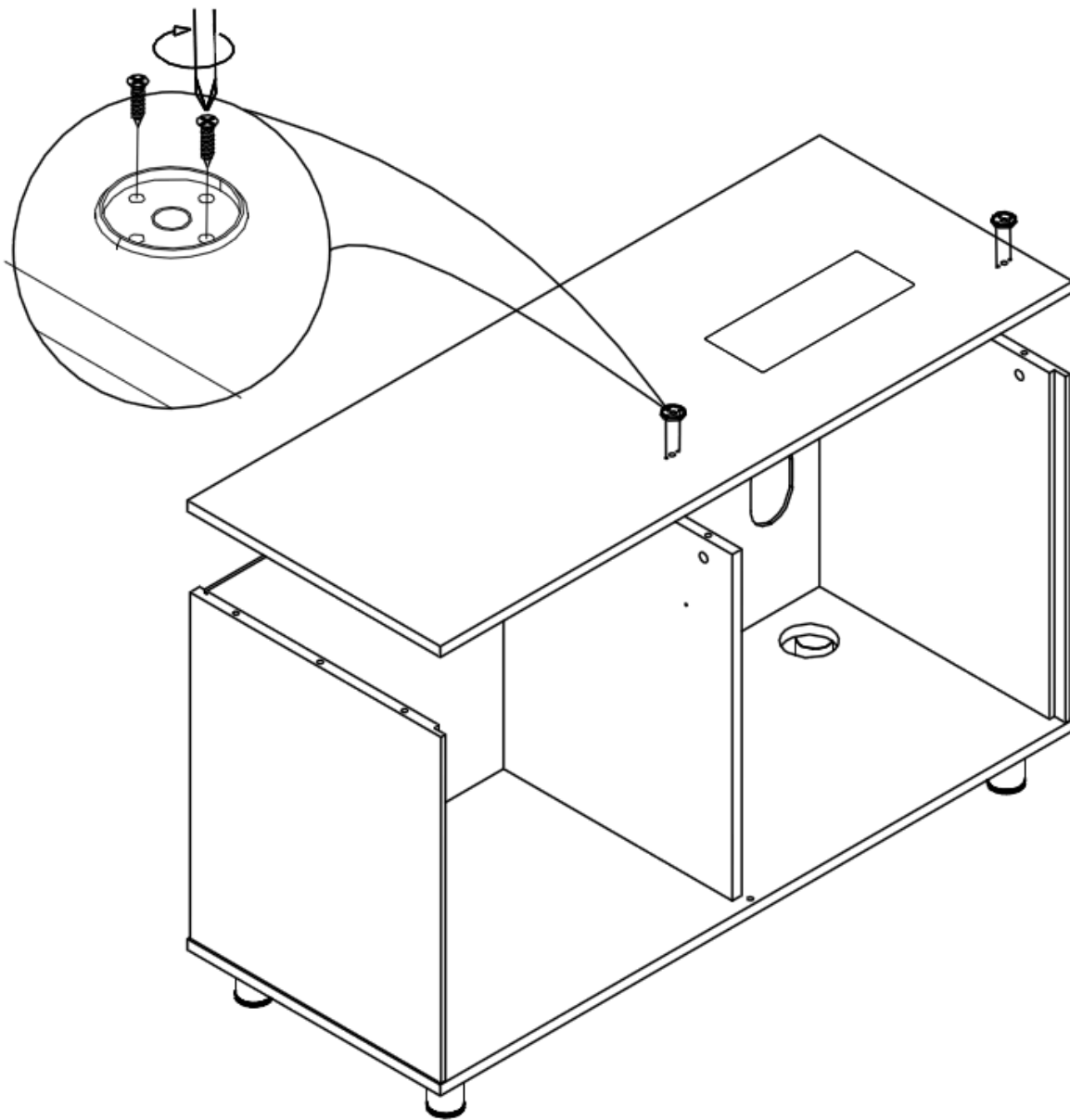
① 290x90x20
(x1)






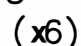


② ST3x16
(x3)

1. Install the top panel.

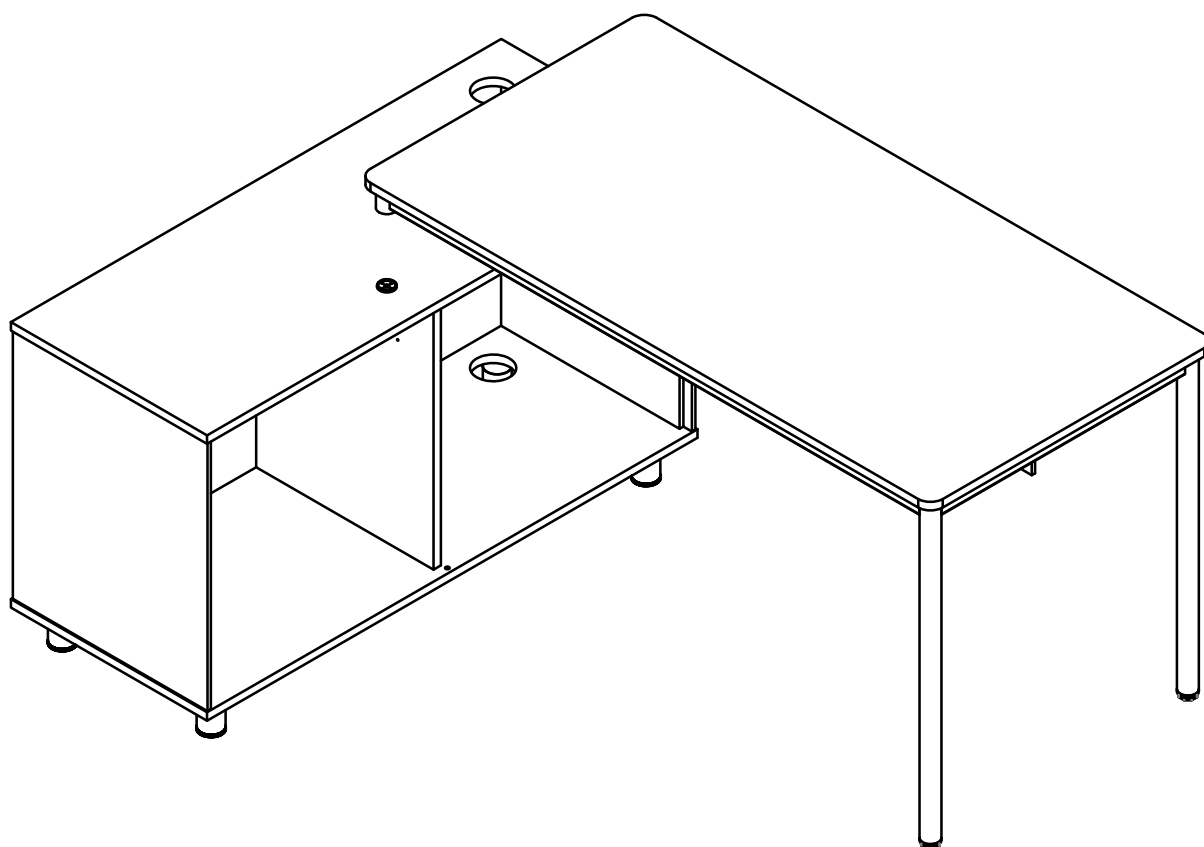
6




- 
R $\phi 80$
(x1)
- 
L ST3.5x14
(x4)
- 
U 34.3x4.5
(x2)
- 
S $\phi 20 \times 0.2$
- 
J $\phi 15 \times 45$
(x6)
- 
(x6)

1. Install the desktop.

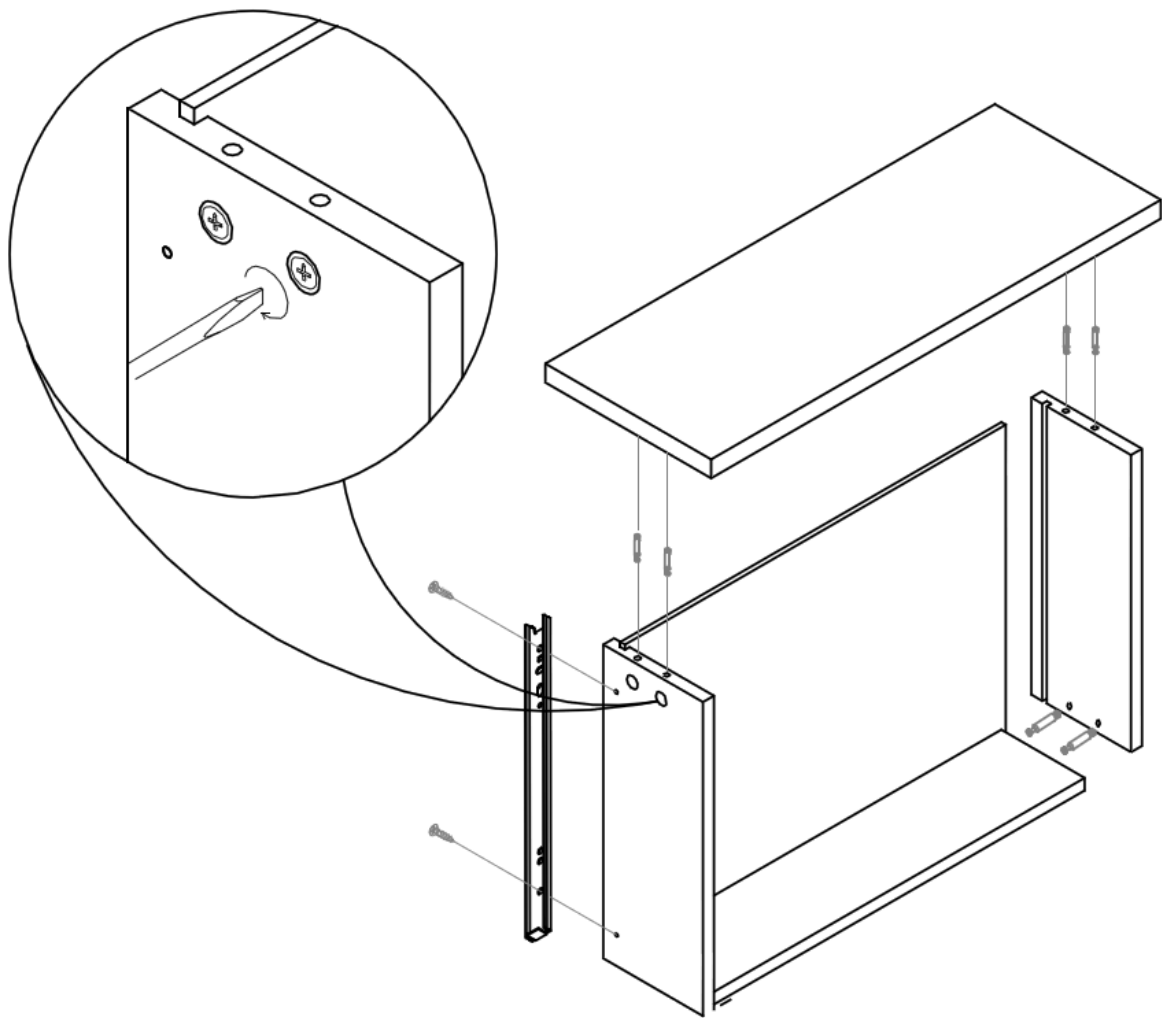
7








A M6x30
(x2)

1. Install the drawer.

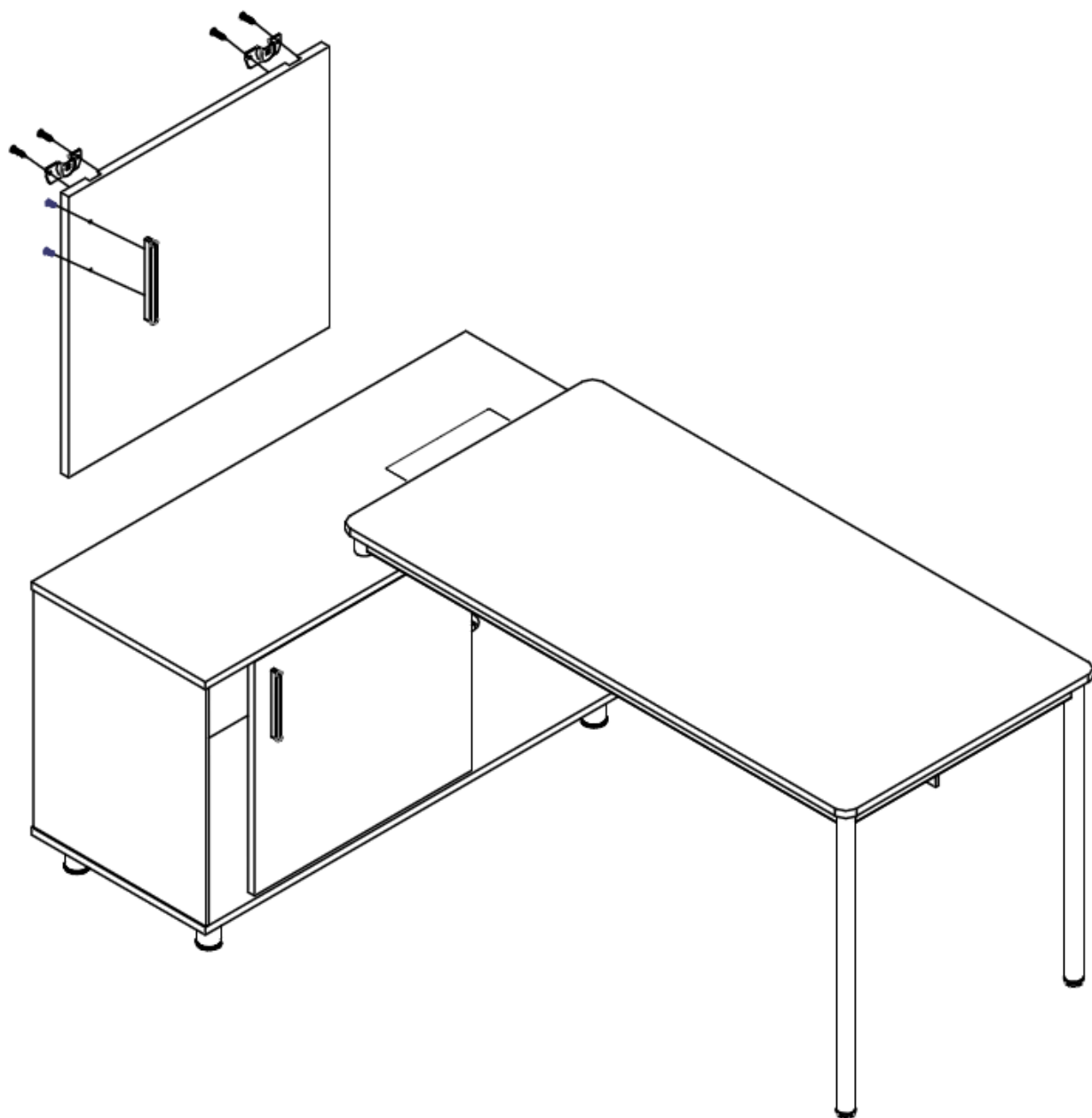
8





-  **S** $\phi 20 \times 0.2$ (x8)
-  **W** 14 inches (x1)
-  **J** $\phi 15 \times 45$ (x8)
-  **K** ST4x10 (x6)


1. Install the door panel.


9



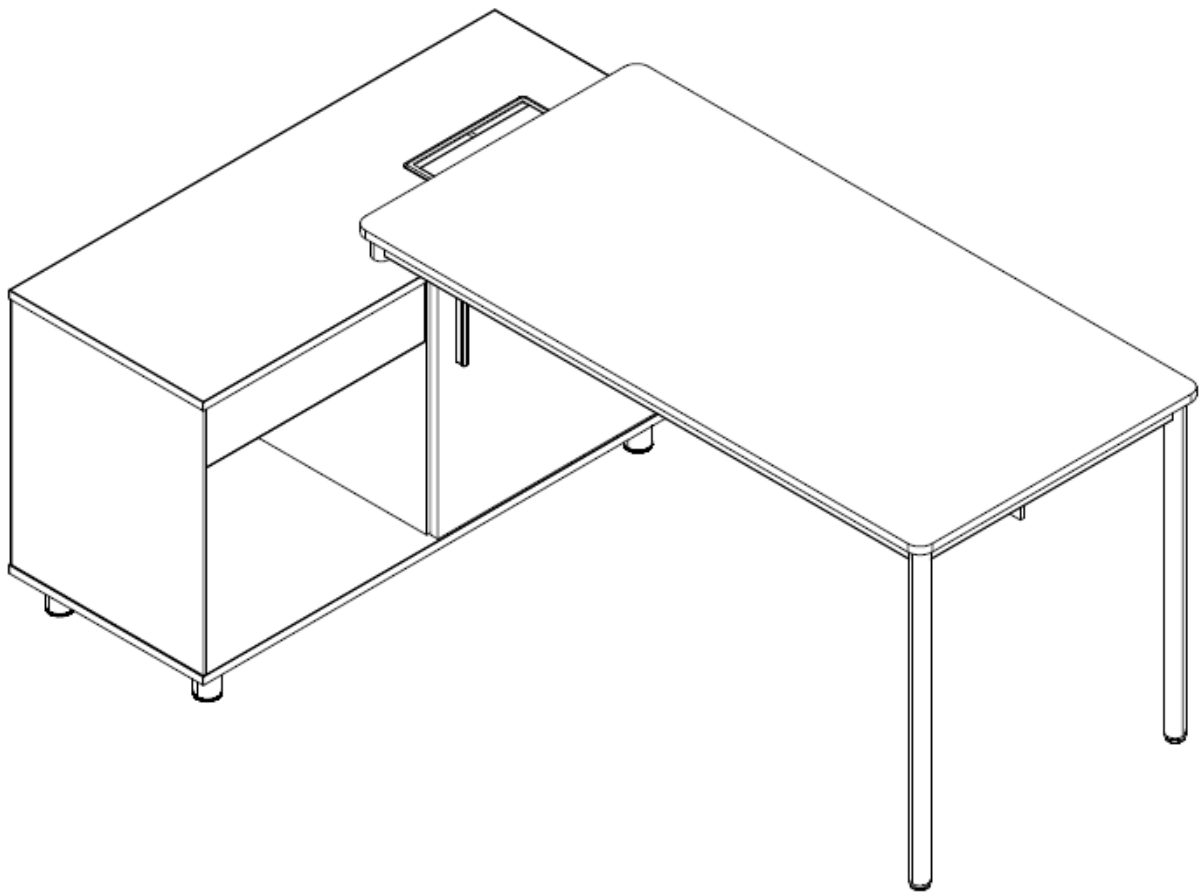
L  ST3.5x14
(x4)

P  /
(x2)

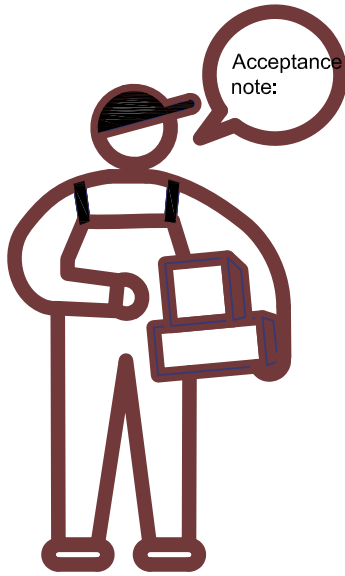
M  M4x22
(x2)

N  160x21x15
(x1)

Done!



Acceptance note:



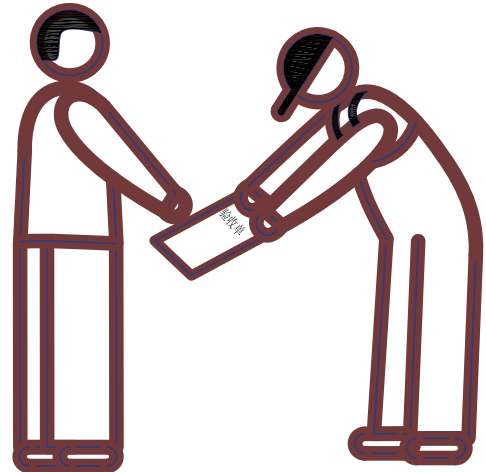
● Clean the surface.



● Tidy up the scene.



● Check and deliver.



Sunon

Suite 150, Building 525 Technology Drive, Irvine, CA.92618
sunonglobal.com 949-337-8838 info.us@isunon.com

