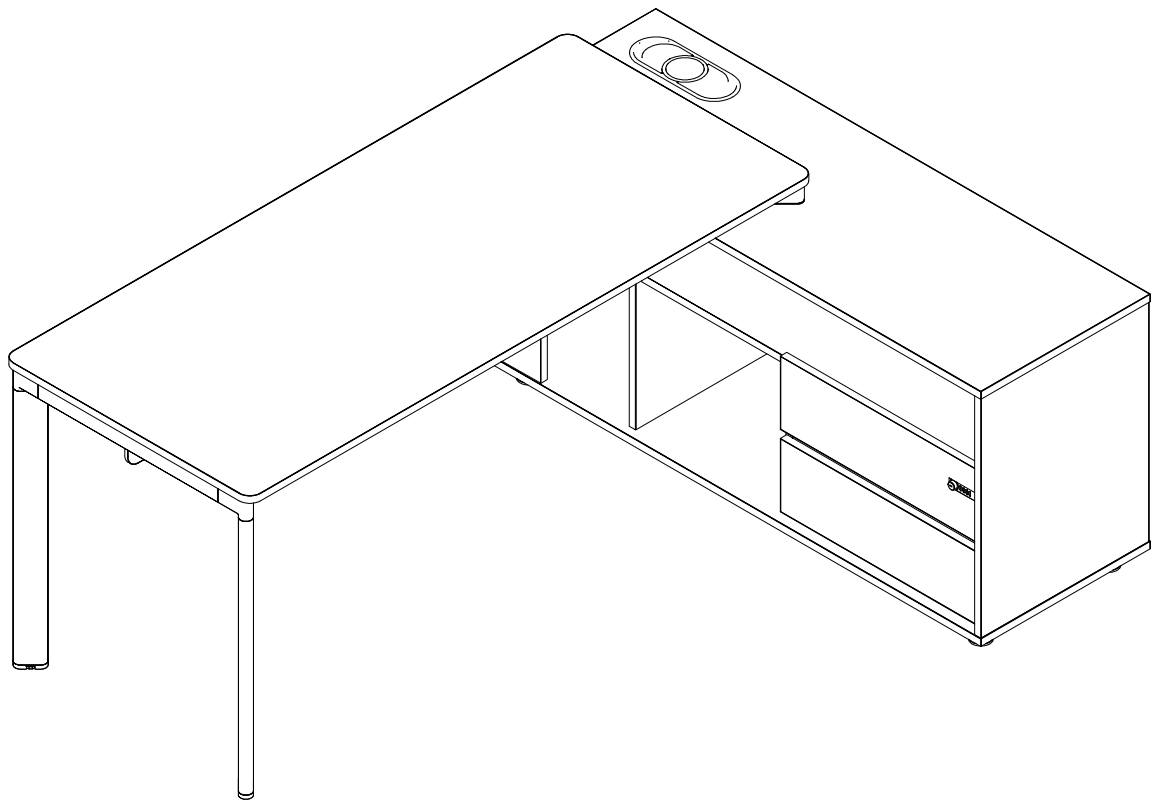


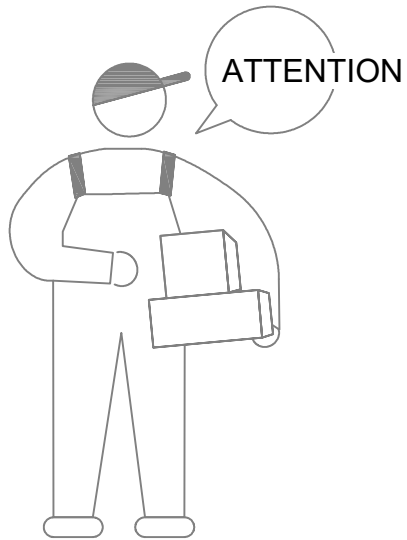


WAX Manager Table DTM8002R/L

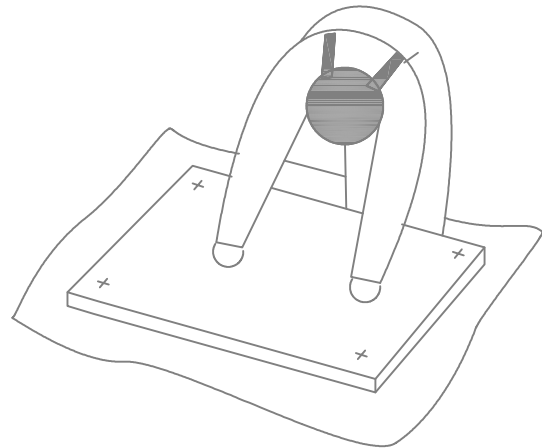
INSTALLATION MANUAL



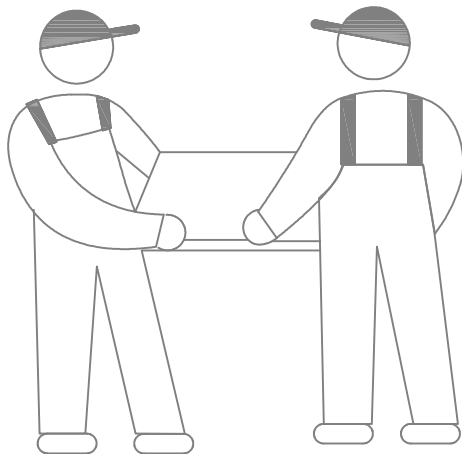
ATTENTION POINTS



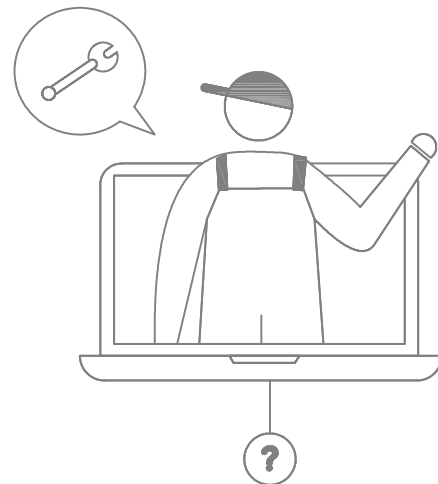
① Take soft , ensure the protect foam below



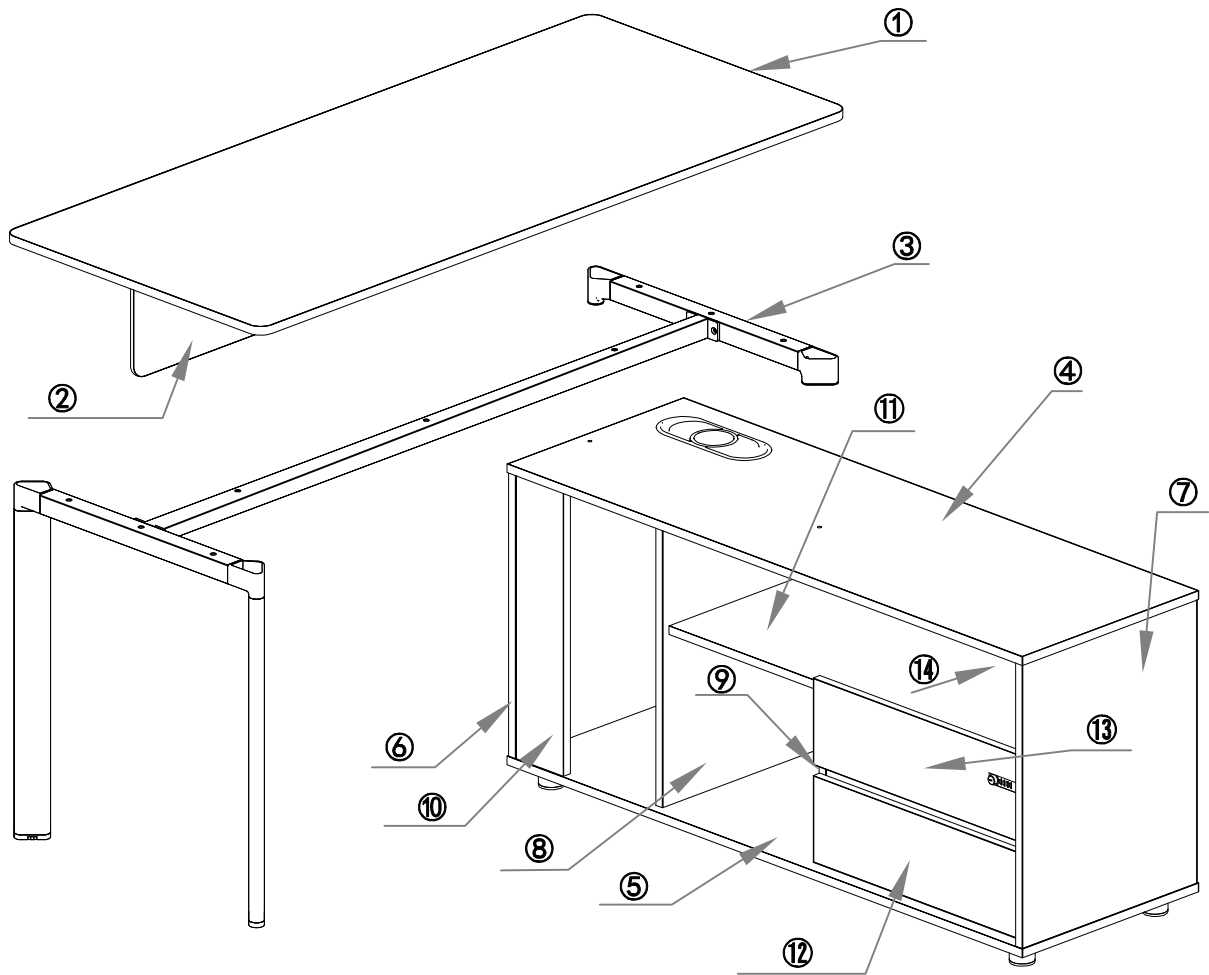
② Over 2 staff carry to keep safety



③ Any question contact Sunon

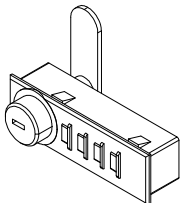
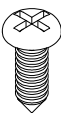
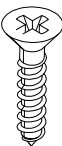
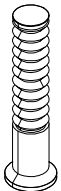
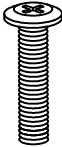
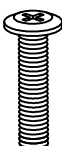


explosive view


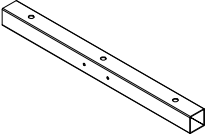
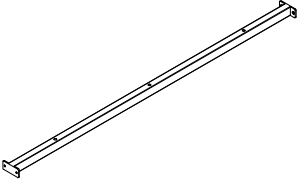

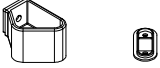
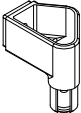
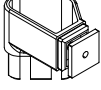
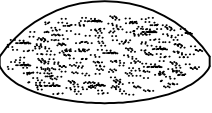


item	name	qty	Item	name	Qty
1	Desk Top	1	8	Middle panel 1	1
2	Modesty panle+accessary	1	9	Middle panel 2	1
3	Metal frame below desk top	1	10	Fixed support beam	1
4	Top shelf	1	11	Fixed shelf	1
5	Bottom board	1	12	Bottom drawer	1
6	Left panel	1	13	Upper drawer	1
7	Right panle	1	14	Back board	1

ACCESSARY LIST

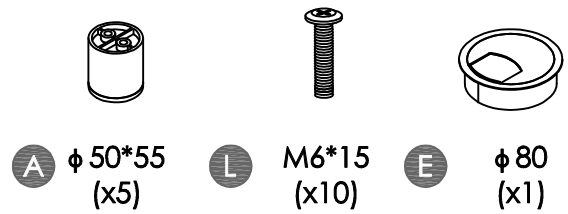
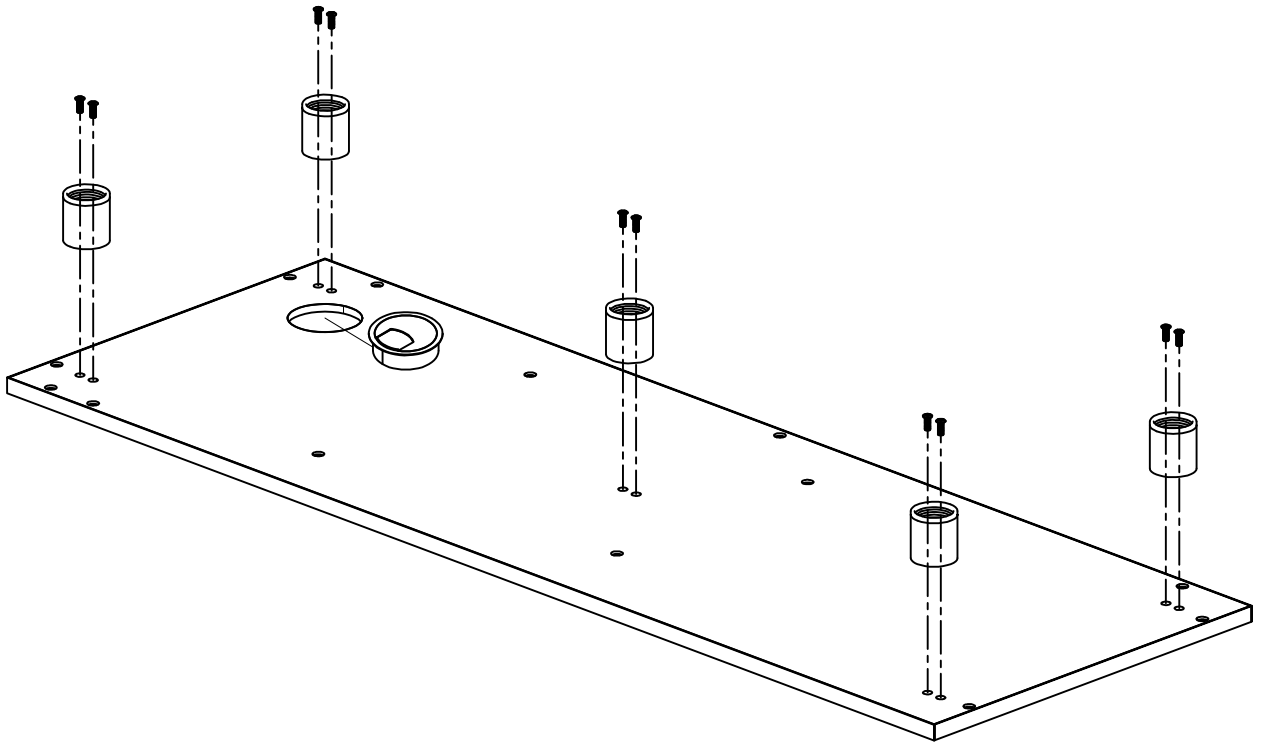
A 			B 			C 		
Adjustable leg	$\phi 50*55$	5	LD Bottom modesty Cliper	70*25*13	2	LD bottom modesty support	96*70*130	2
D 			E 			F 		
New 3-1 connector	$\phi 15*45$	44	Wirebox	$\phi 80$	1	Up adjustable sockets	270*106*159	1
G 			H 			I 		
mechanical code lock	Not regular	1	Flat head self-tapping	ST5*16	6	Countersunk self tapping screws	ST3.5*14	12
J 			K 			L 		
Hill screw	M7*38	13	countersunk hex screw	M6*14	4	Cross screw	M6*15	14
M 			N 			O 		
Flat head self-tapping screws	ST4*10	8	three-section rail	14 inch	2	Cross flat head screws	M6*50	9

ACCESSARY LIST

Q 			R 			S 		
Oval column	681*70*30	2	Main desk beam	525*40*40	2	Main Table support beam	1510*85*40	1
T 			U 			V 		
Smaller connector A	87*51*58.3	1	Connector B	87*51*58.3	1	Longer connector A	87*59*58.3	1
W 			X 					
Longer connector B	87*58.3	1	Beauty Sticker	φ20*0.2	28			

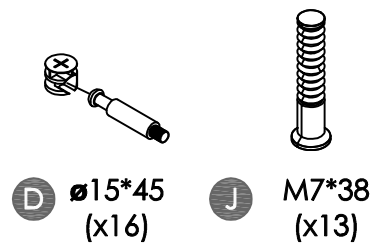
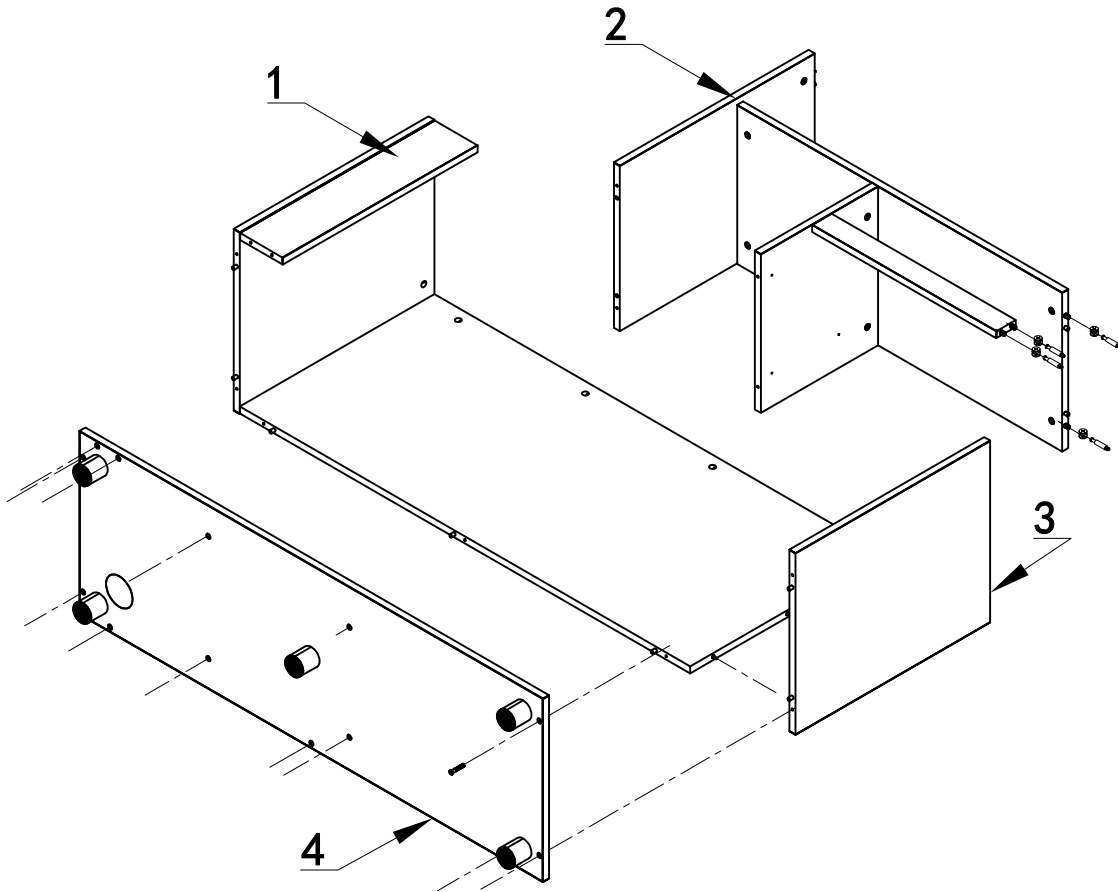
Step 1. With 10 cross screws M6*15 to fix the adjustable legs with the bottom board of the side cabinet
Step 2. with 1 D80 wirebox fix on the hole of the bottom board

1



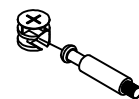
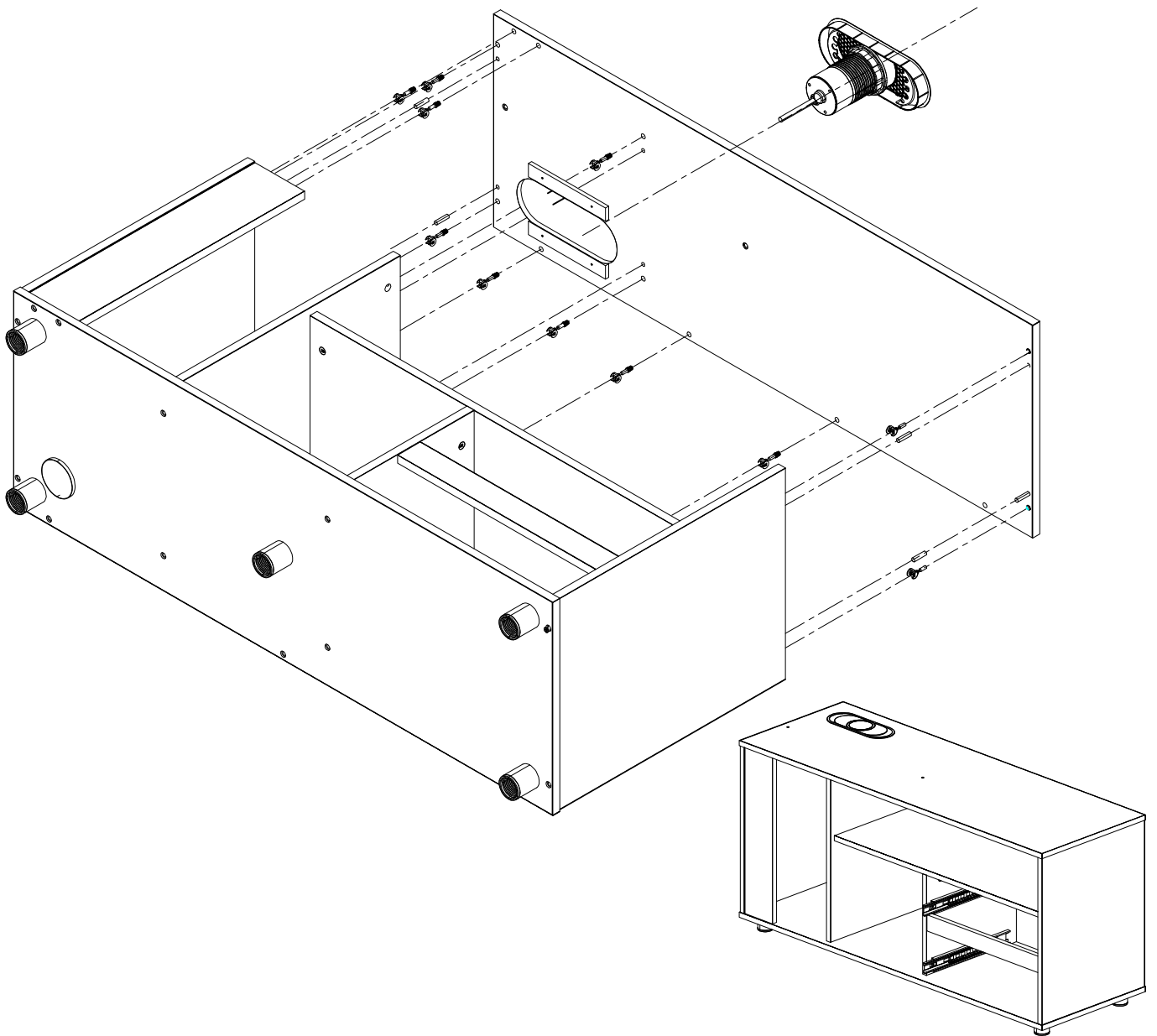
Step 1. With the Three-one connector to fix the Left side board with back board
Step 2. To fix the middle stand board1, middle stand board2, fixed shelf, drawer panel with the new 3-1 connector
Step 3. with the step 1 & 2 to connector with right side panel, use the same 3-1 connector
Step 4. With the Hill screws to connect the items after above 3 step and bottom board.

2



Step 1. With the new 3-1 connector to fix top board and with the items after above steps
Step 2. To fixed the pup-up wirebox with top board, and fixed together with the base plate

3



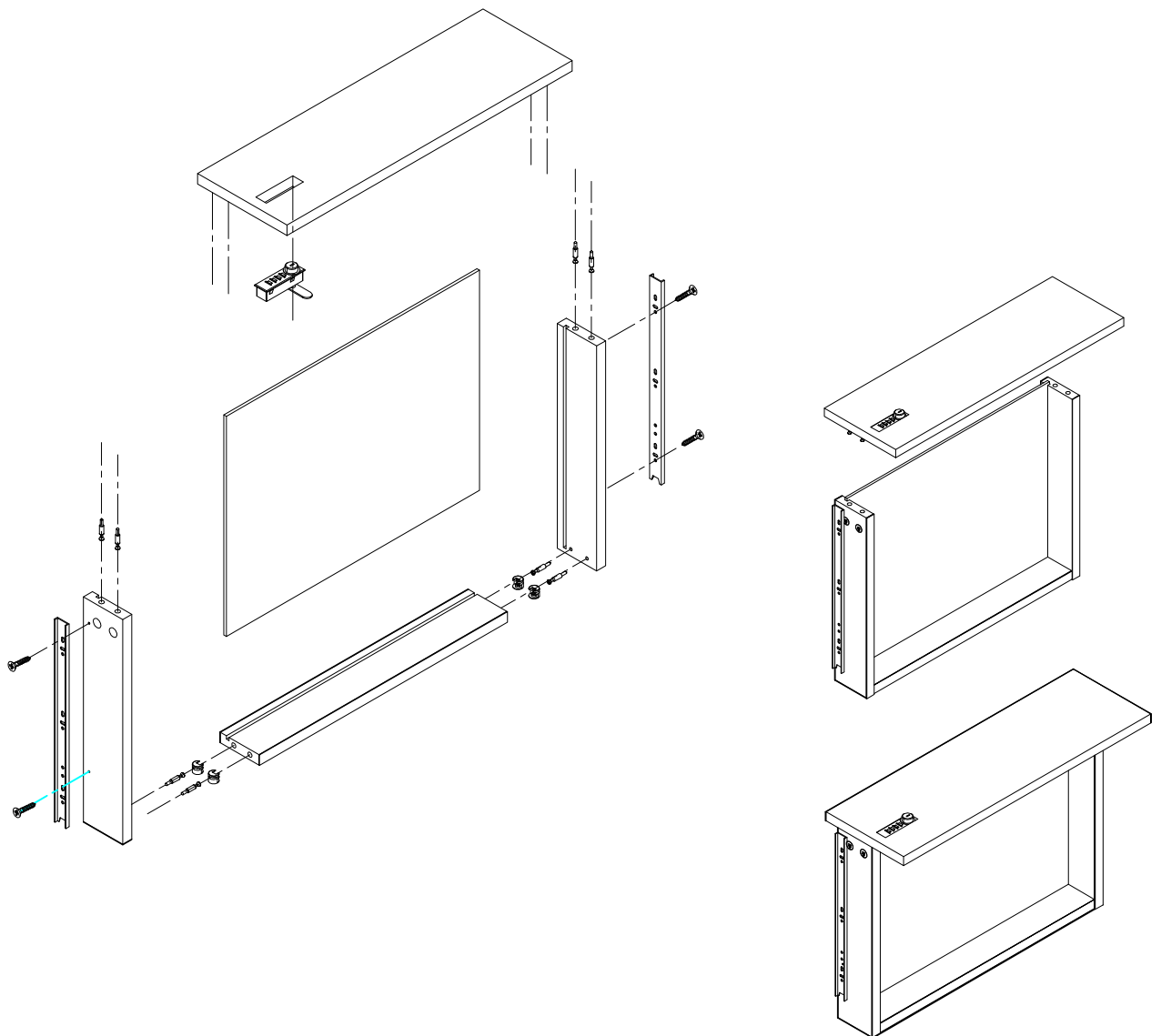
D $\varnothing 15 \times 45$
(x12)

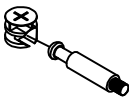
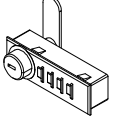
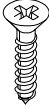



F 270*106*159
(x1)

- Step 1. With the new 3-1 connector to fix left side drawer panle ,right side drawer panel, drawer back board, and inster the drawer bottom board into the slot
- Step 2.Fixed the Drawer surface and locker
- Step 3.Fixed the three section rails together with the side drawer panle(Pay attention to the innder rail direction)
- Step 4.Use the 3-1 connector to fix the drawer surface and drawer.

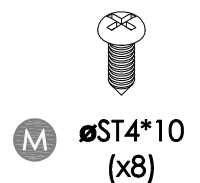
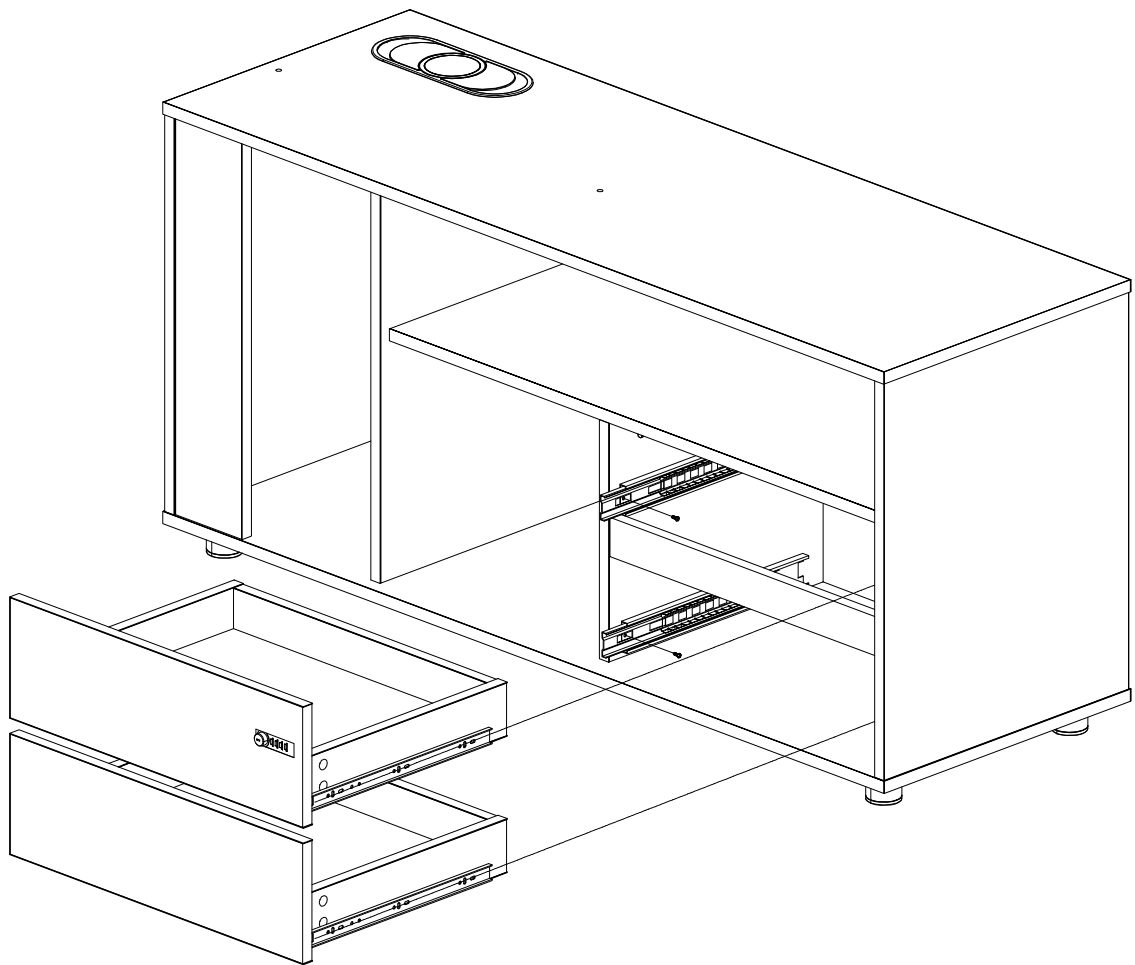
4



- 
D $\varnothing 15*45$
(x16)
- 
G Locker
(x1)
- 
I $\varnothing ST3.5*14$
(x8)
- 
N 14寸
(x2)

Step 1. Use the Flat head self-tapping screws to connect the slider rail and middle board
Step 2. To insert the two drawers into the side cabinet, inner rail connect together with outer rail

5



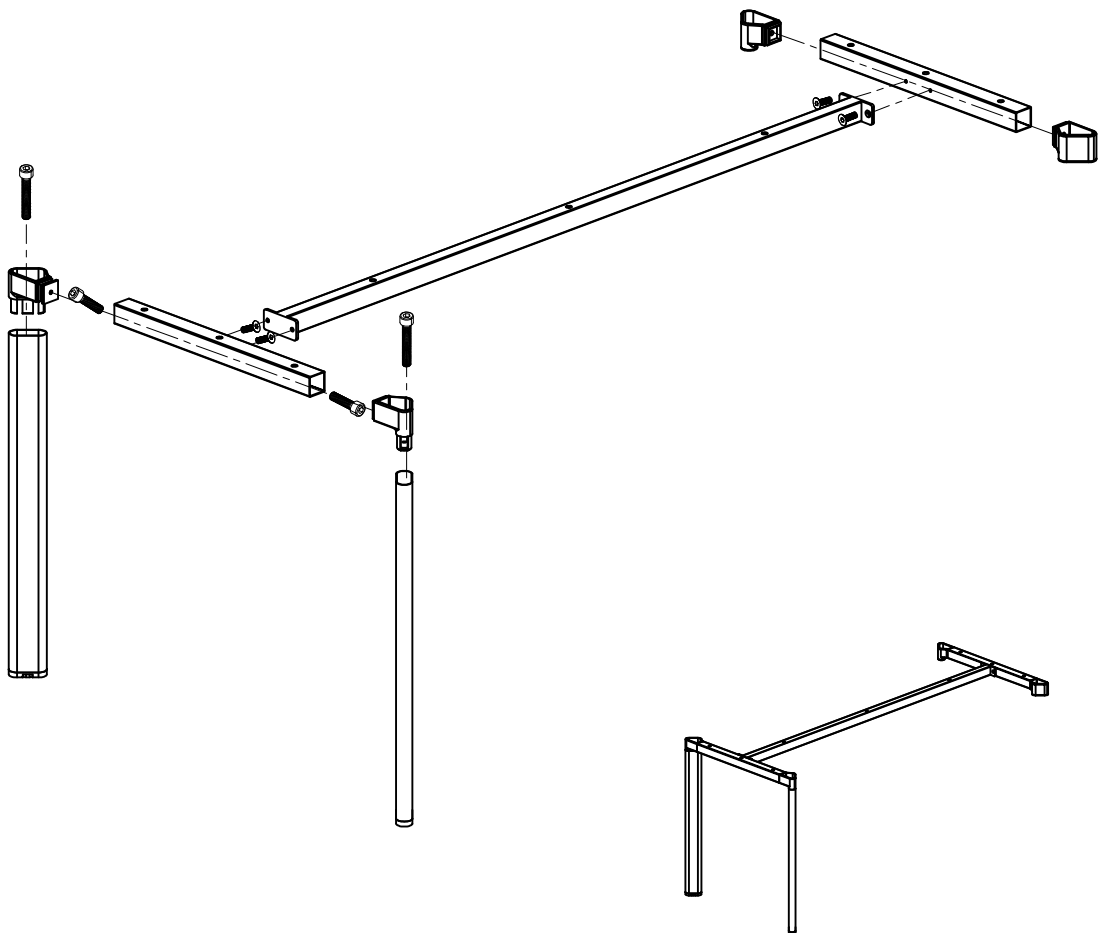
Step 1. With the inner hexagon screw M8*40 connect the round stand beam+longer connector,
Use M8*30 Cylindrical head hexagon to connector with staff table

Step 2. With the inner hexagon screws M8*40 to fix the smaller beam,
and connect the M8*30 together with the staff beam

Step 3. With the inner hexagon screw M6*14 to fix the main table beam, and connector with the fixed metal leg

Step 4. With Inner hexagon screw M6*14 to connect the hanger

6



K M6*14
(x4)



W 87*59*58.3
(x1)



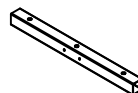
U 87*51*58.3
(x1)



V 87*59*58.3
(x1)



Q 681*70*30
(x2)



R 525*40*40
(x1)



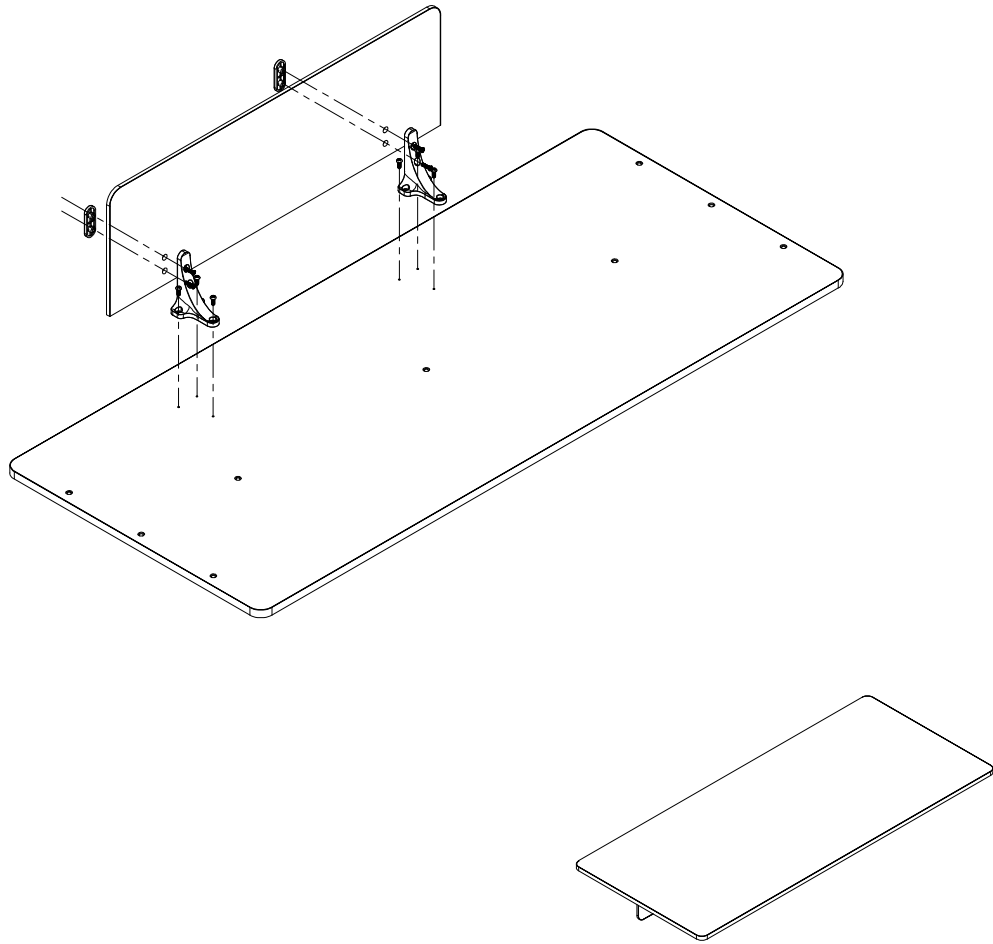
S 1510*85*40
(x1)

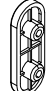
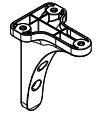
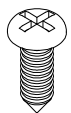
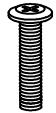


T 87*51*58.3
(x1)

Step 1. With the LD bottom panel to support main body and additional body, fixed with Cross flat head screws
Step 2. With the Large flat head self tapping screws and LD bottom modesty panel to fix together with desk top

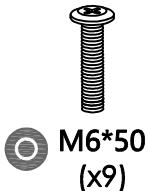
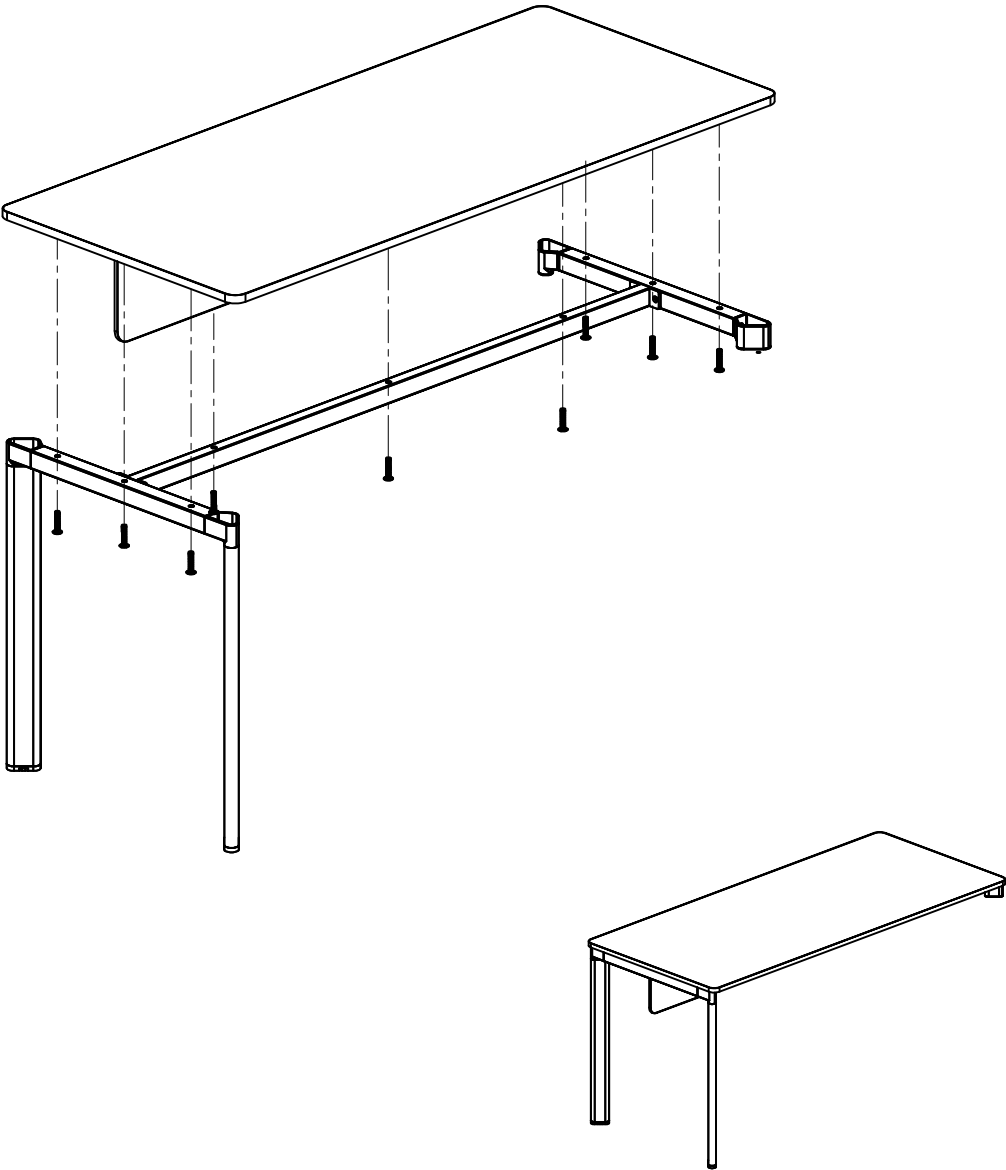
7



- 
B 70*25*13
(x2)
- 
C 96*70*130
(x2)
- 
H ST5*16
(x6)
- 
L M6*15
(x4)

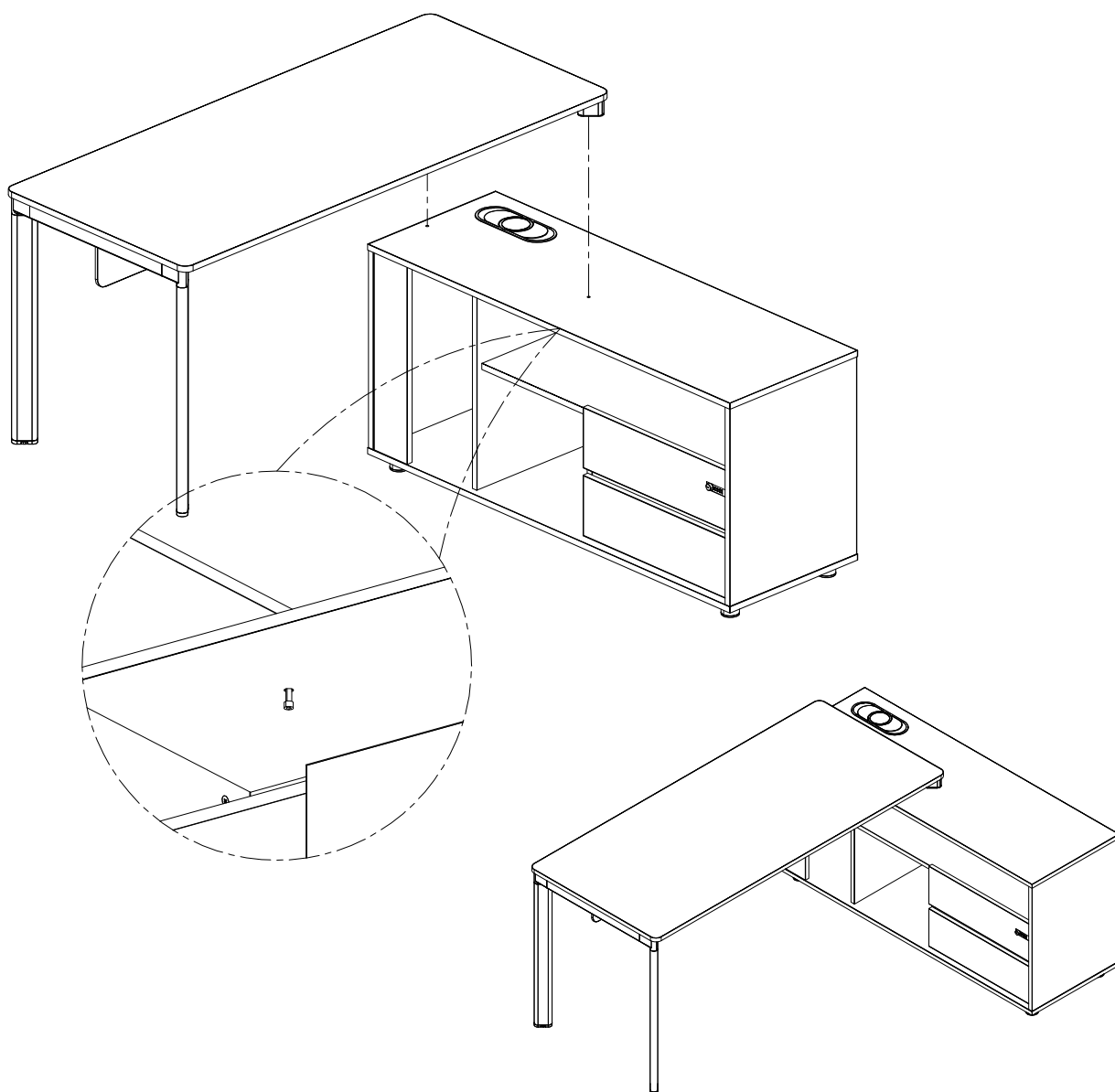
Step1. Fixed with the screw M6*50 for desk top and metal frame

8

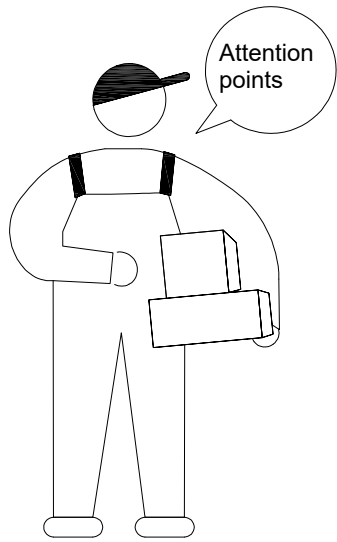


Use Cylindrical head hexagon screw 2 nos M8*70 to fix the side cabinet and metal frame .
From the bottom of the side cabinet to upper to fix

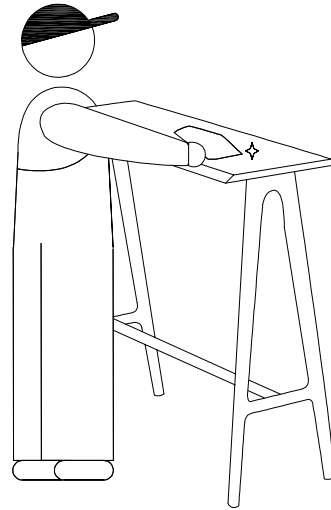
9



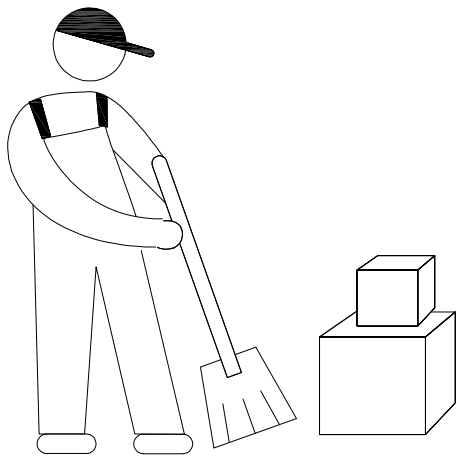
Pay attention for the Quality checking



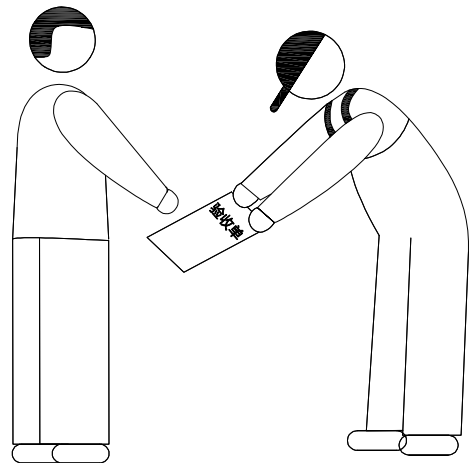
① Product cleaning



② Cleaning site



③ Product Hand over



Sunon

China

Sunon Technological Innovation Park

The Intersection of Gaoxin No.10 Road and Airport City Avenue,
Xiaoshan District, Hangzhou, Zhejiang, China

TEL: 4008 600 666



Website

