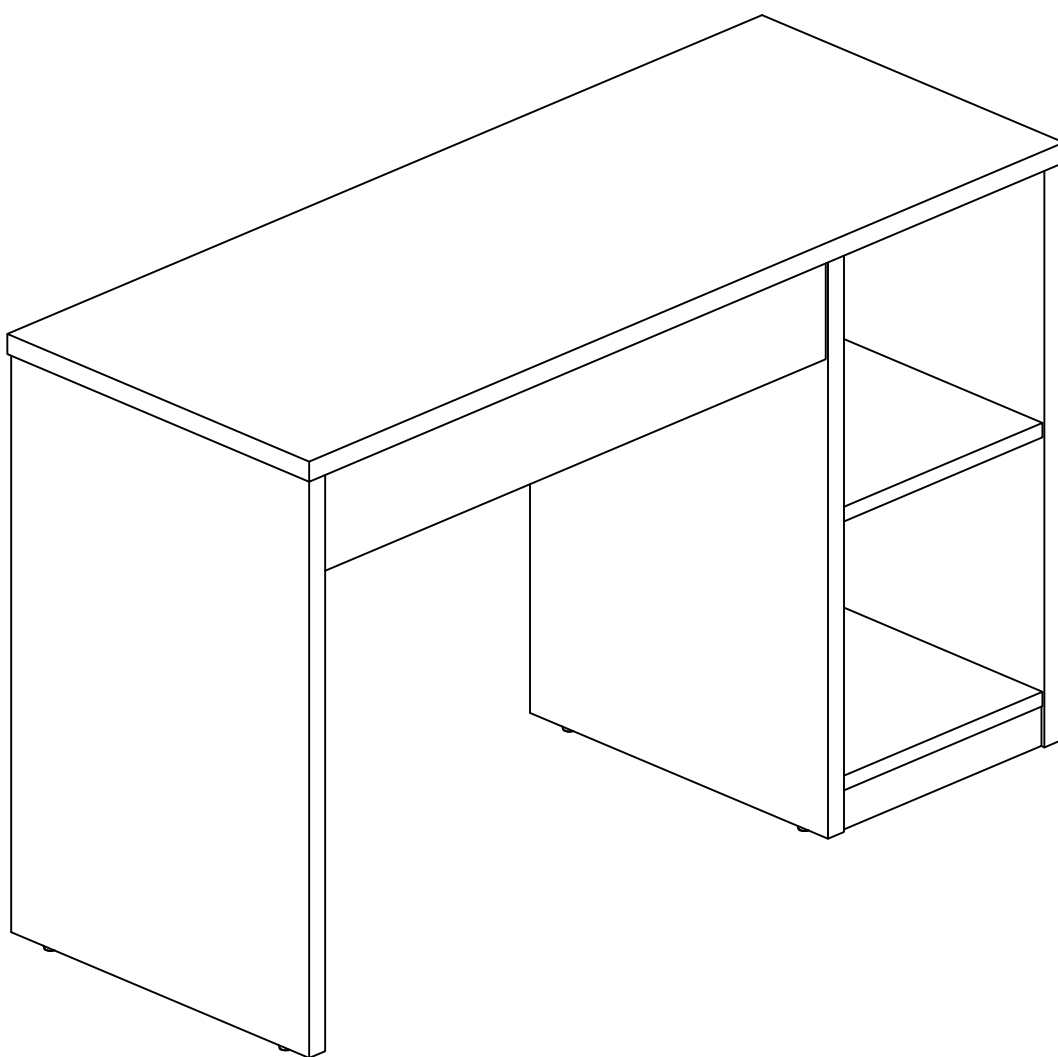


Sunon

Assembly Manual Home Desk

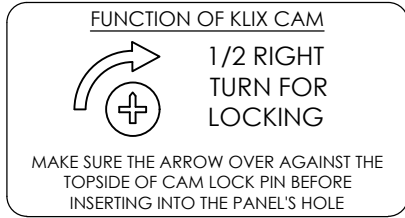
SNK615



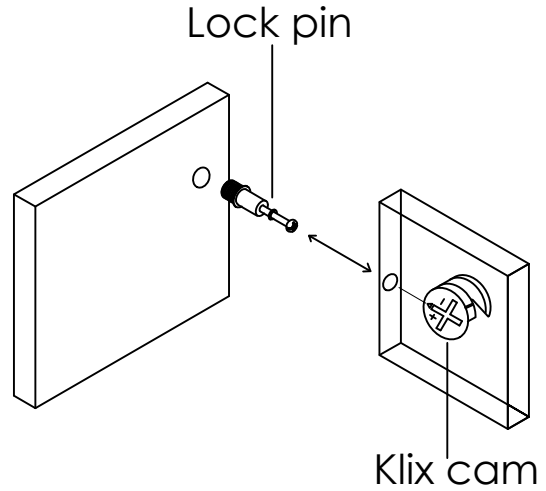
Please read this manual carefully before any operation and keep it properly for future use.
Customer Service: sara@isunon.com

Warnings

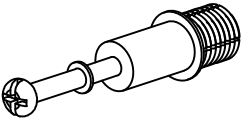


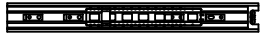
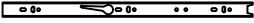
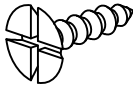
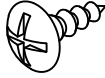
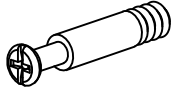

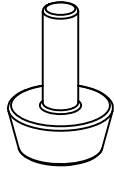
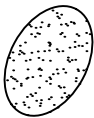
ATTENTION:



IMPORTANT!
After 180° right turn, if there is a gap between the boards, please check whether the cam lock pin is tightened enough.



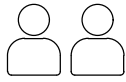
Components List

			
A Lock Pin (x35)	B Klix Cam (x35)	C Dowel (x16)	D Outer Slide rail (14") (x2)
			
E Inner Slide rail (14") (x2)	F Screw ST3.5*14 (x4)	G Screw ST4*10 (x6)	H Cam Screw (x12)
			
I Hidden Cam (x12)	J Adjustable Glide (x6)	K Screw Cover (x35)	

Components List

30_{min}

Assemble Time

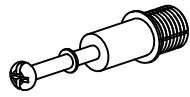


Two People

1 Desk Top (x1)	2 Left Side Panel (x1)	3 Middle Side Panel (x1)	4 Right Side Panel (x1)
5 Front Panel (x1)	6 Back Panel (x1)	7 Bottom (x1)	8 Fix Shelf (x1)
9 Skirtboard (x1)	10 Balance rail (x1)	11 Drawer Front (x1)	12 Drawer Back (x1)
13 Left Side Drawer (x1)	14 Right Side Drawer (x1)	15 Drawer Bottom (x1)	16 Drawer Support (x1)

Assembly Instruction

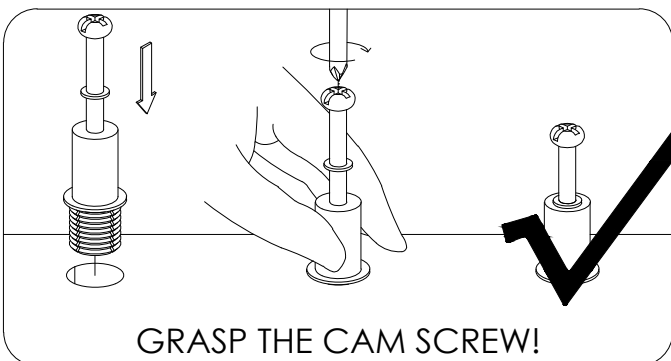
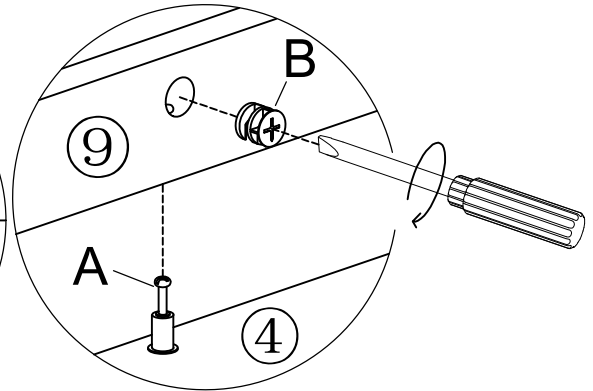
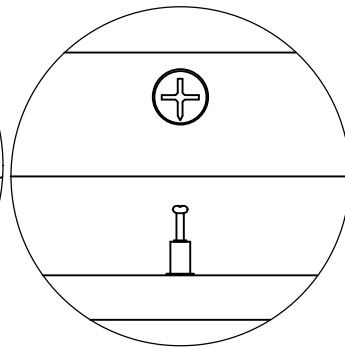
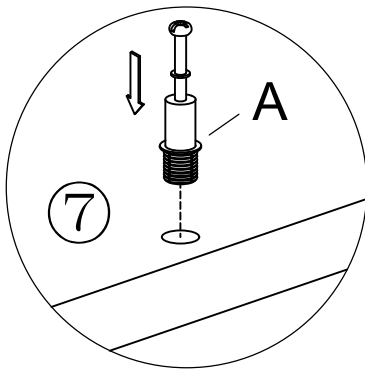
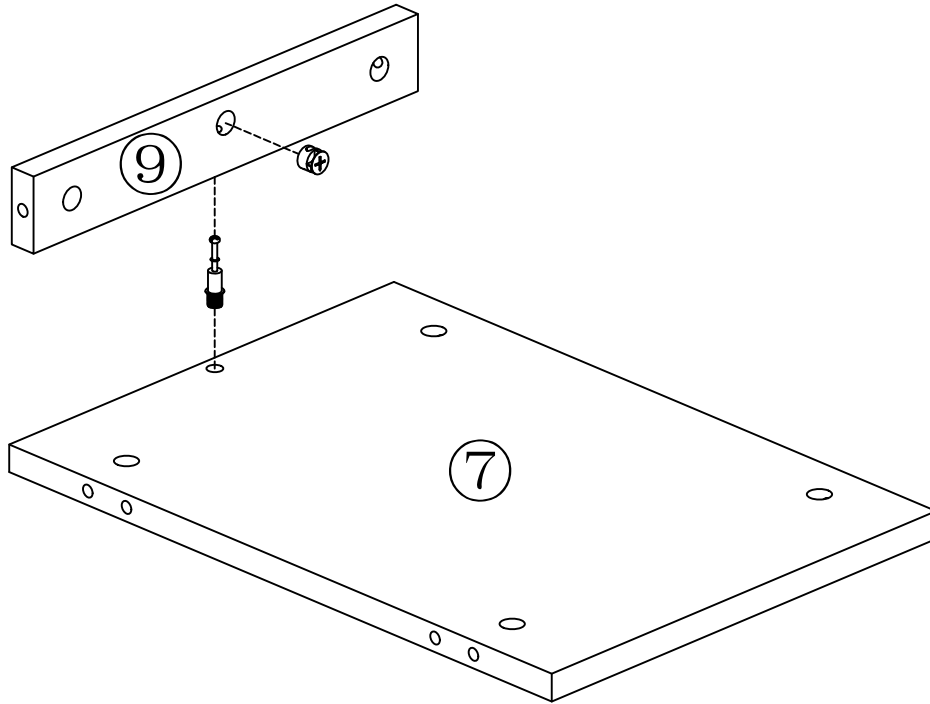
1



A Lock Pin (x1)



B Klix Cam (x1)



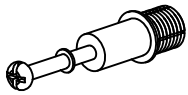
GRASP THE CAM SCREW!

IMPORTANT!

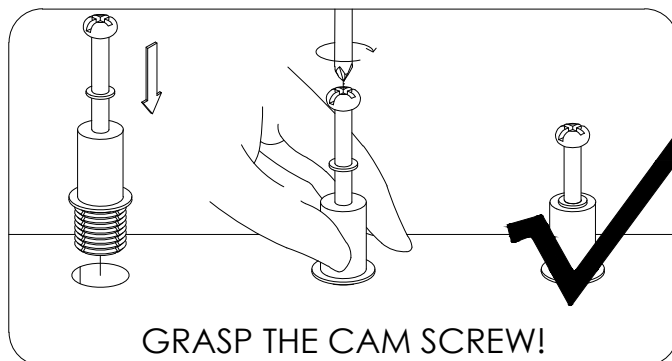
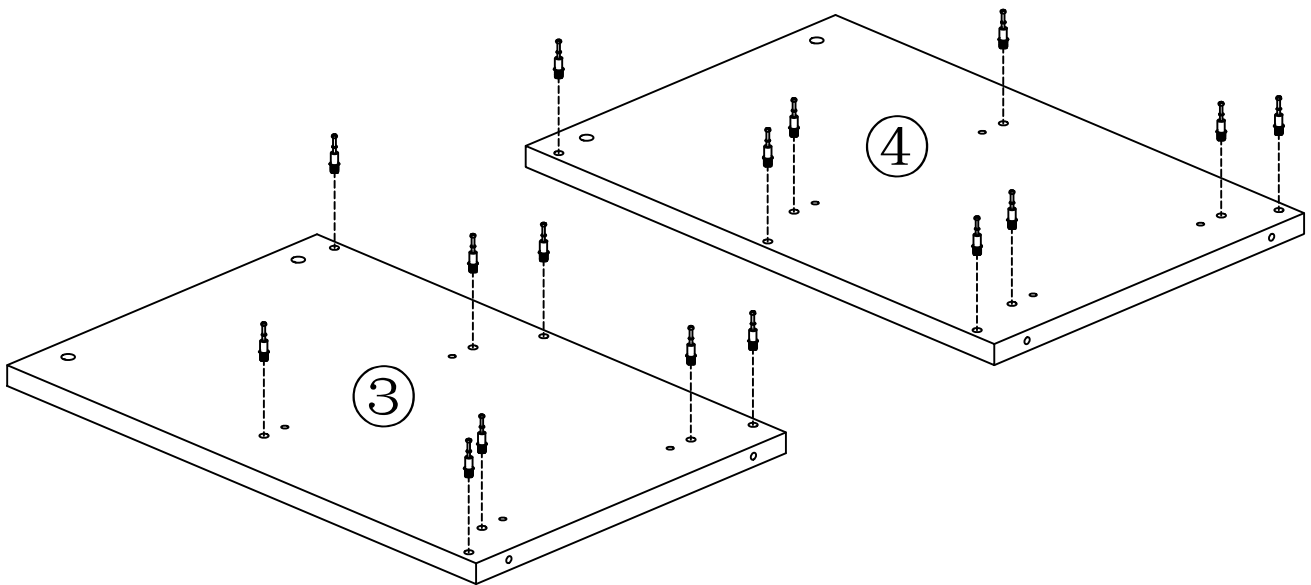
Place the black plastic cap into the hole and tighten the screw to expand the plastic cap which will hold it securely to the board.

Assembly Instruction

2



A Lock Pin (x16)



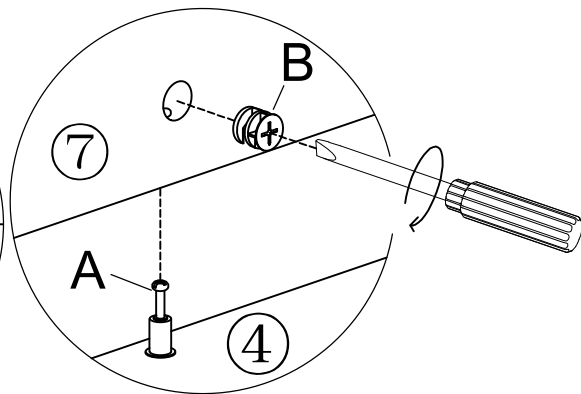
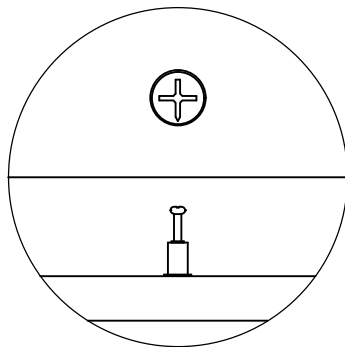
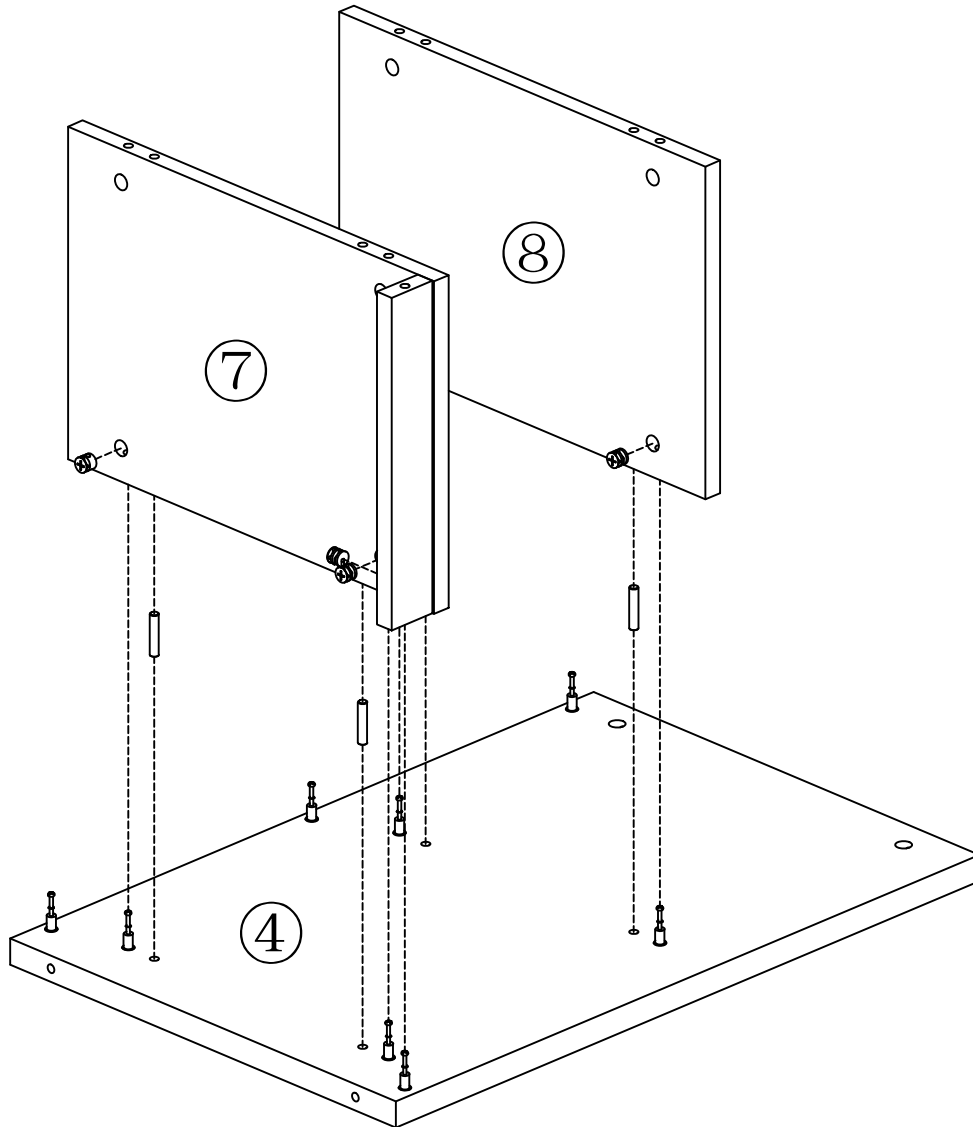
Assembly Instruction

3



B Klix Cam (x5)

C Dowel (x4)

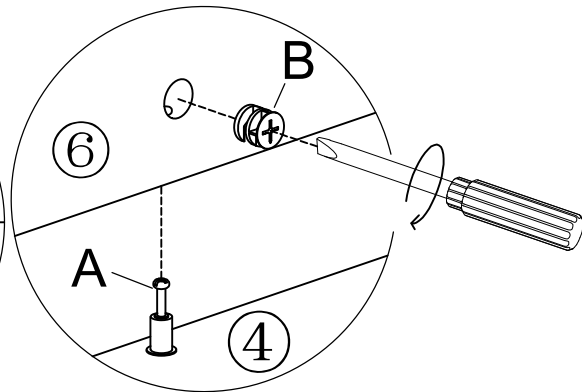
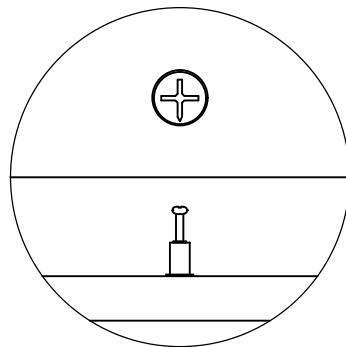
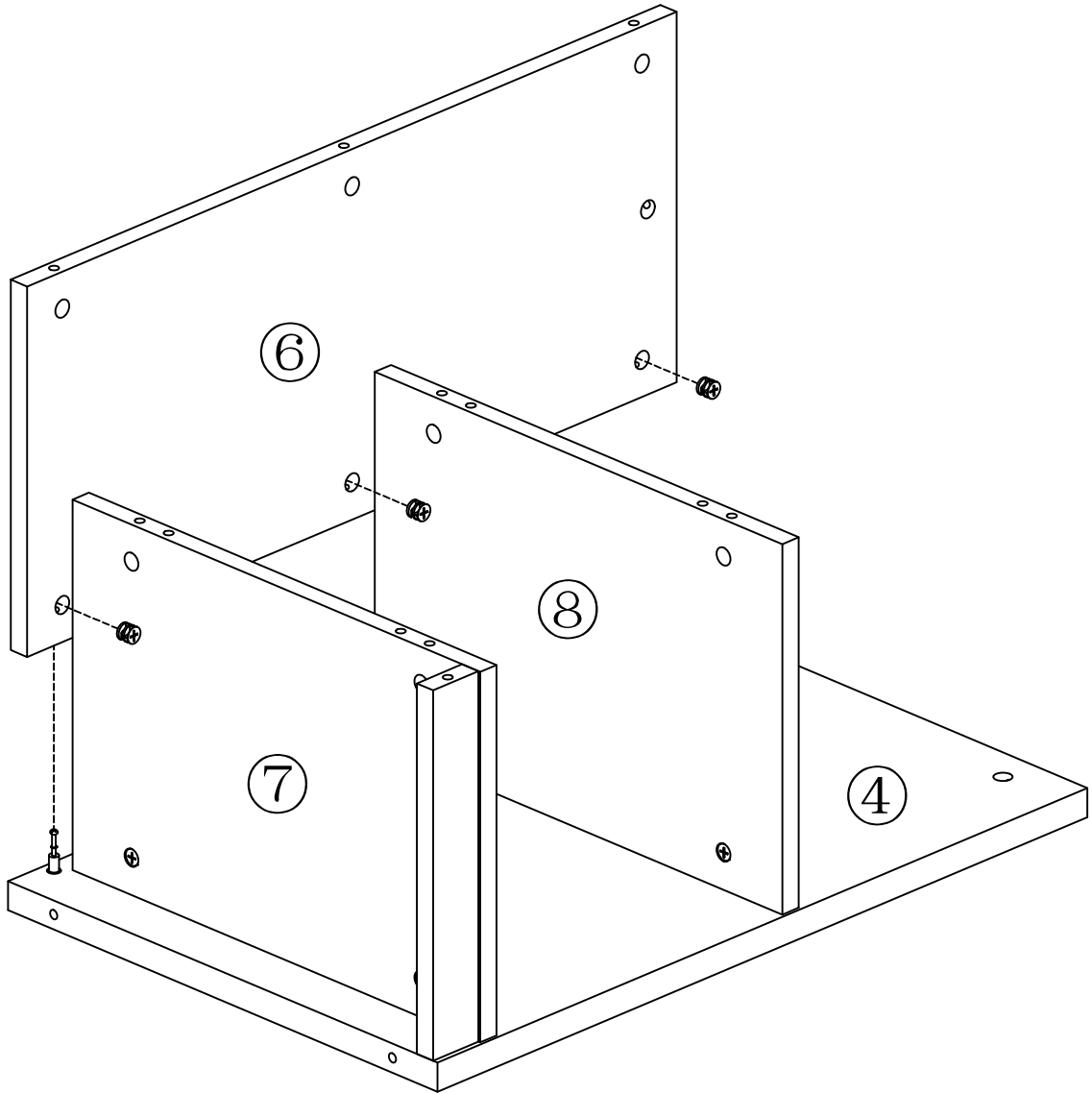


Assembly Instruction

4

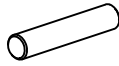


B Klix Cam (x3)



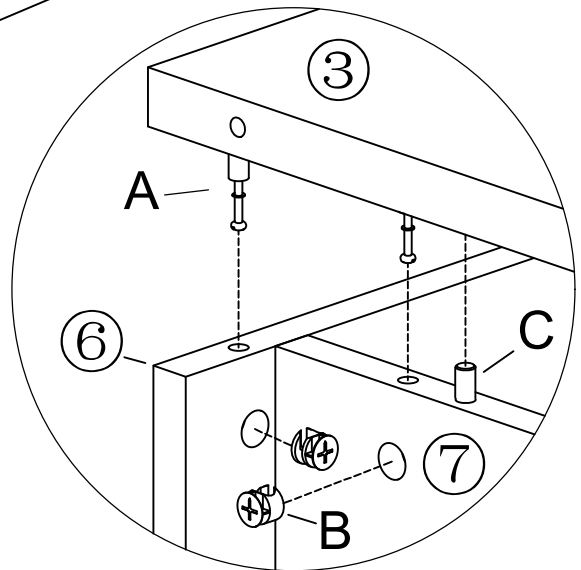
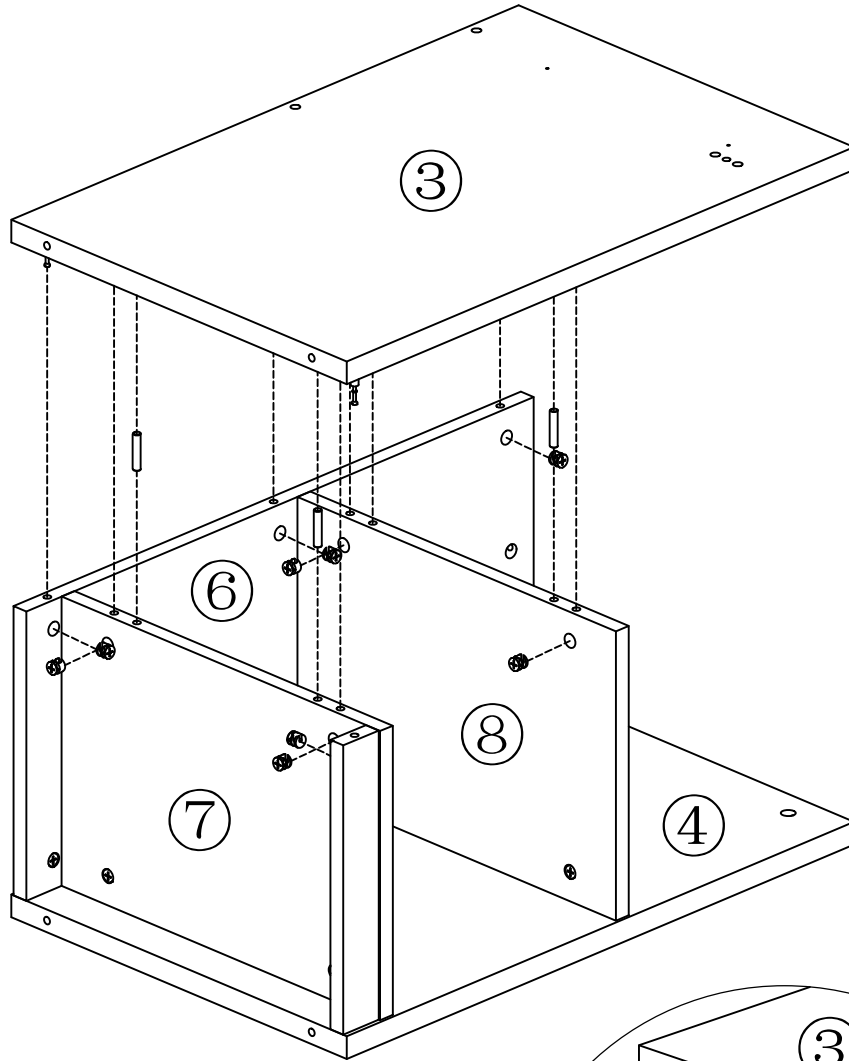
Assembly Instruction

5



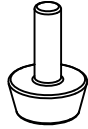
B Klix Cam (x8)

C Dowel (x4)

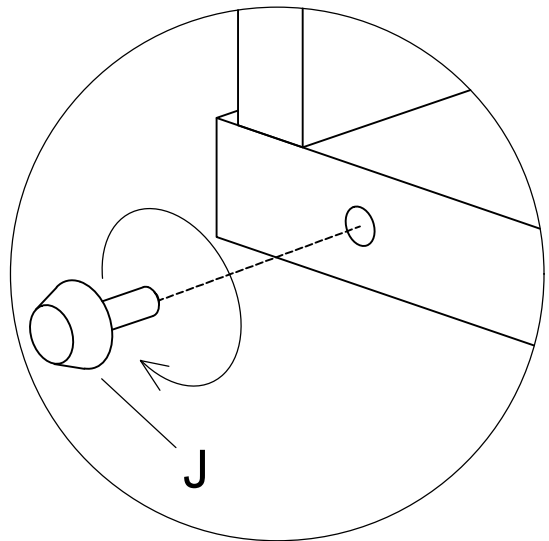
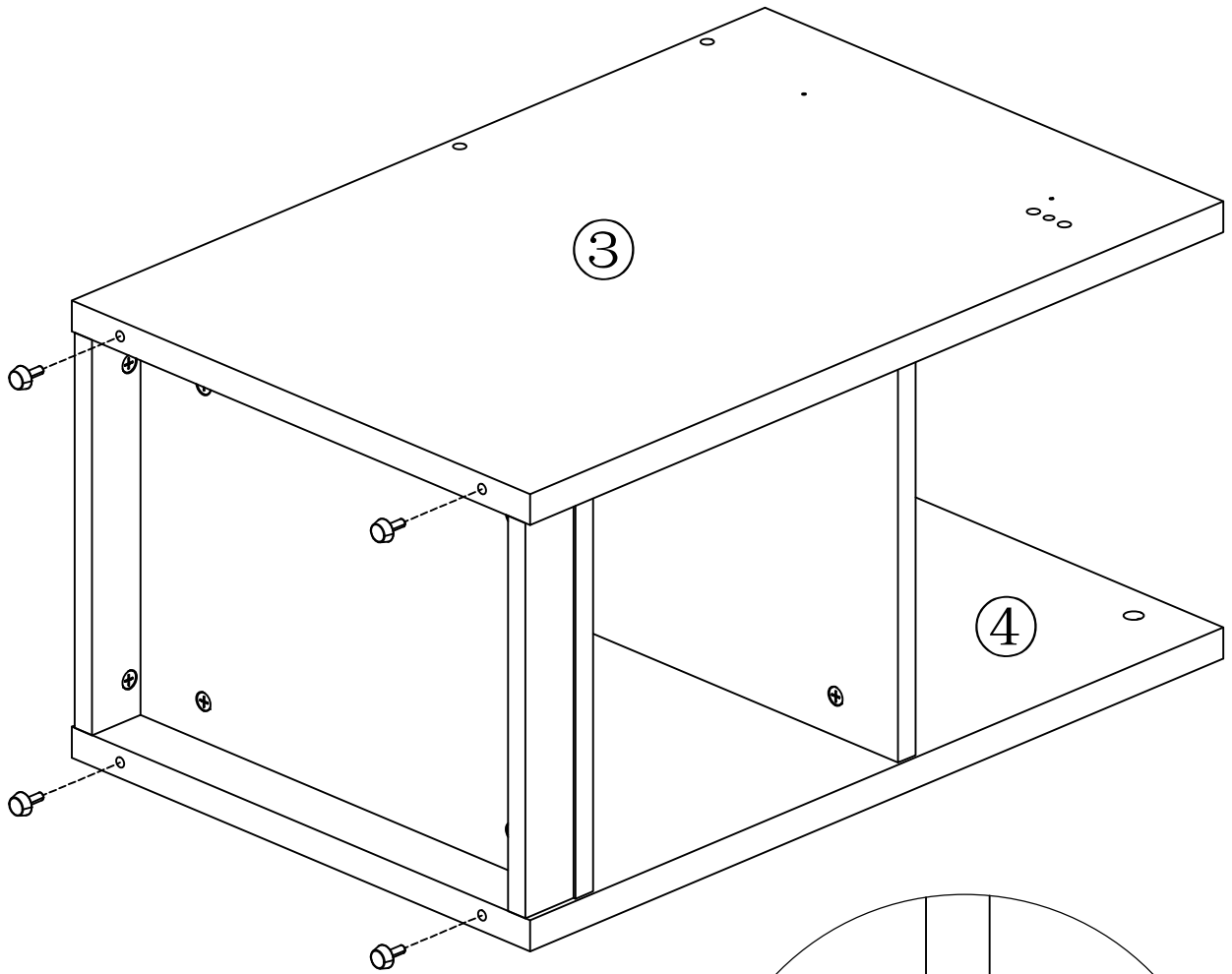


Assembly Instruction

6

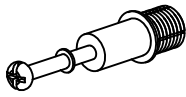


J Adjustable Glide (x4)

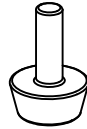


Assembly Instruction

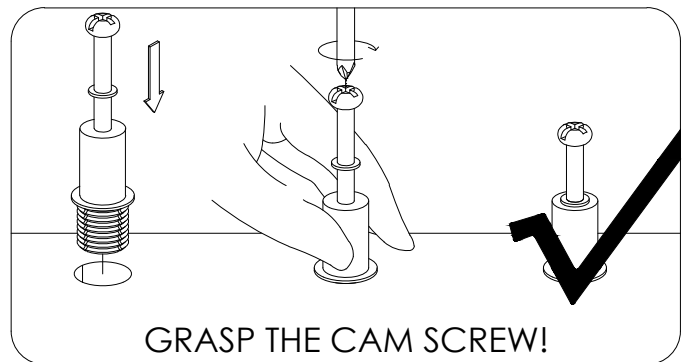
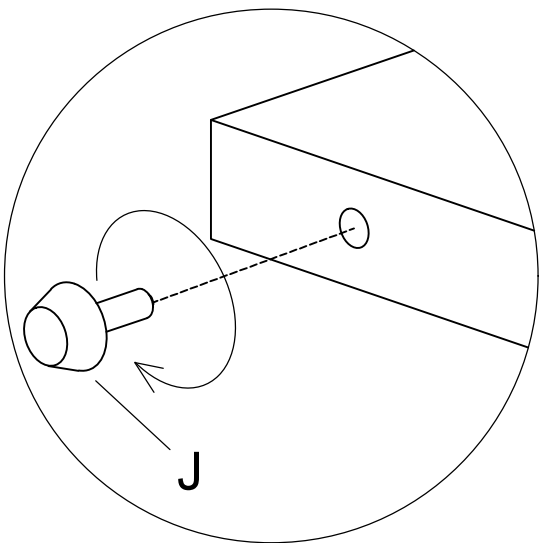
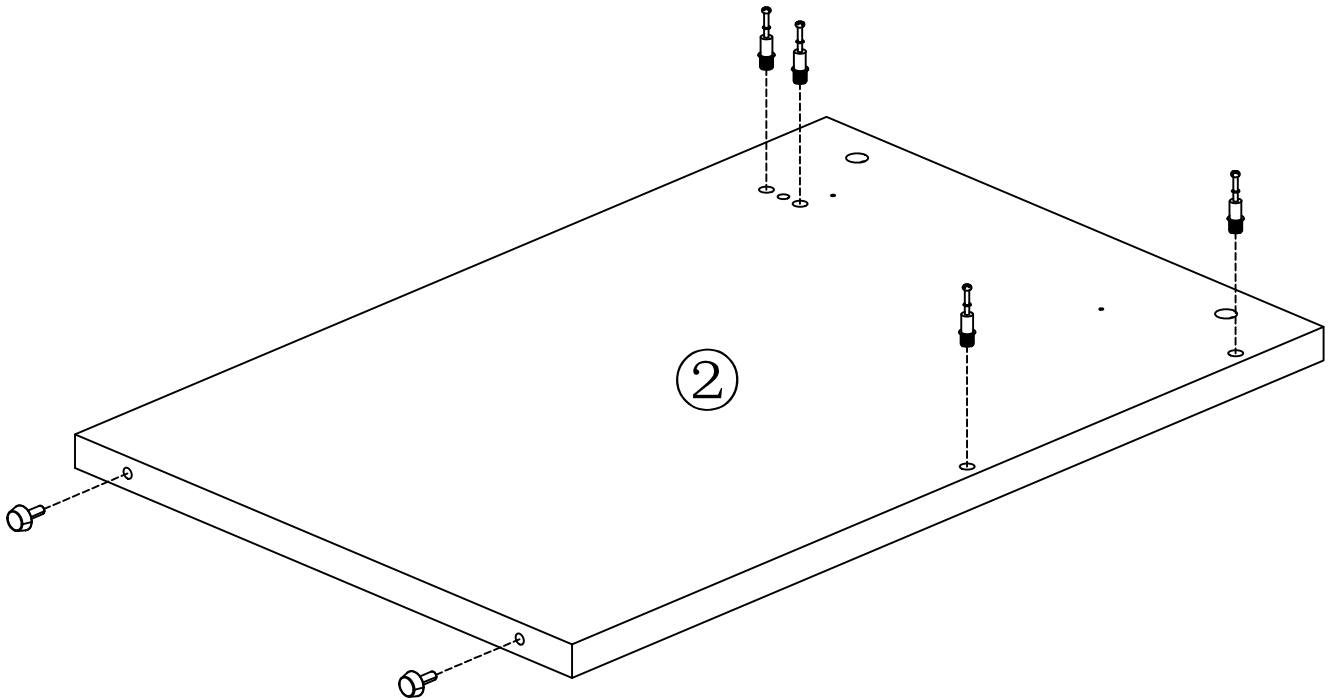
7



A Lock Pin (x4)

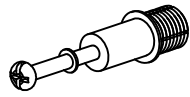


J Adjustable Glide (x2)



Assembly Instruction

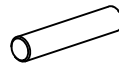
8



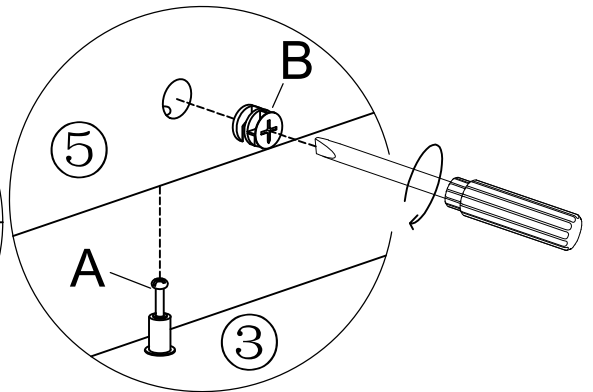
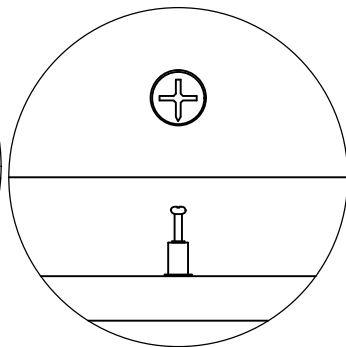
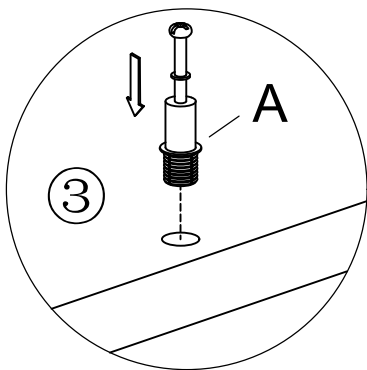
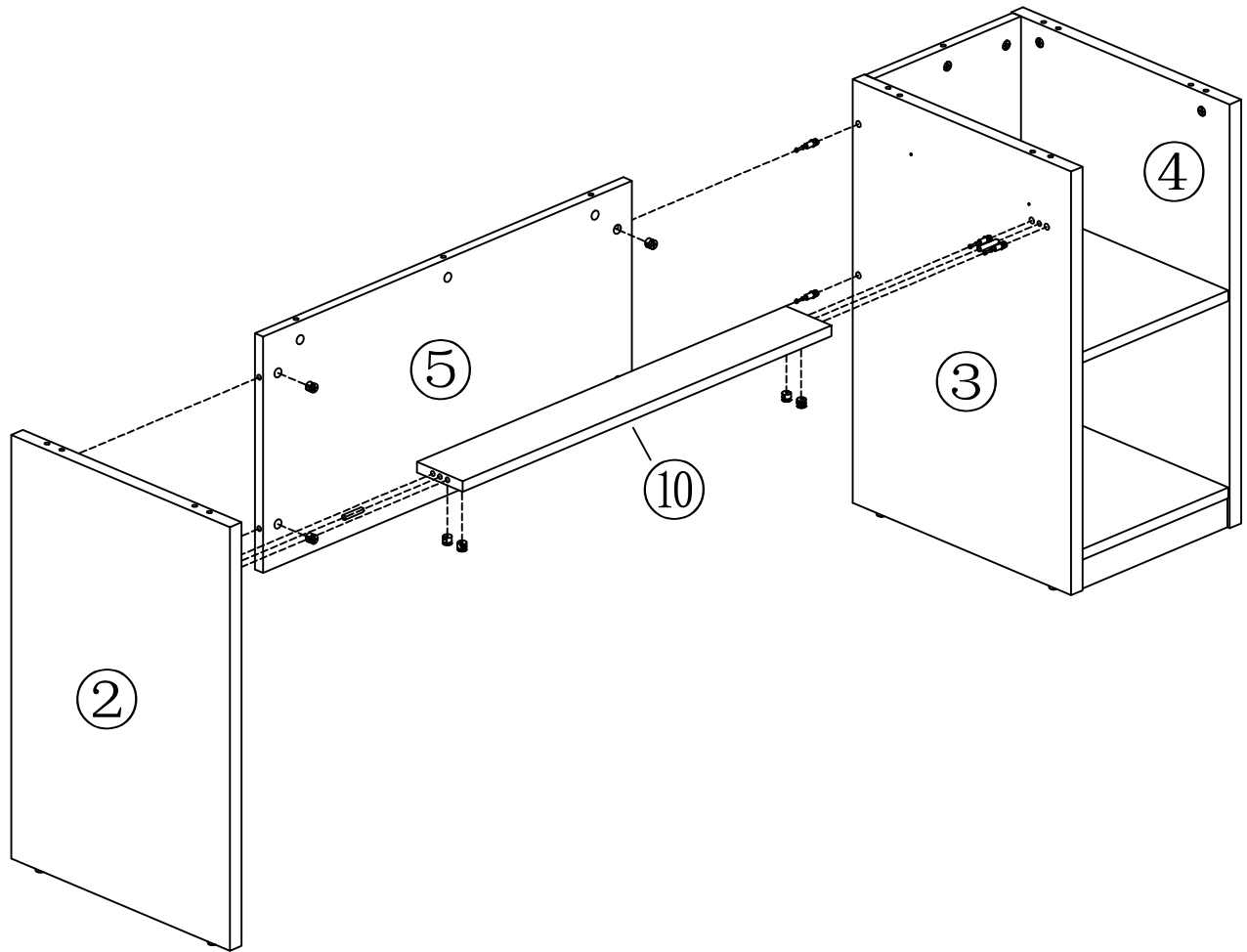
A Lock Pin (x4)



B Klix Cam (x8)

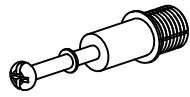


C Dowel (x2)



Assembly Instruction

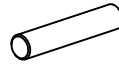
9



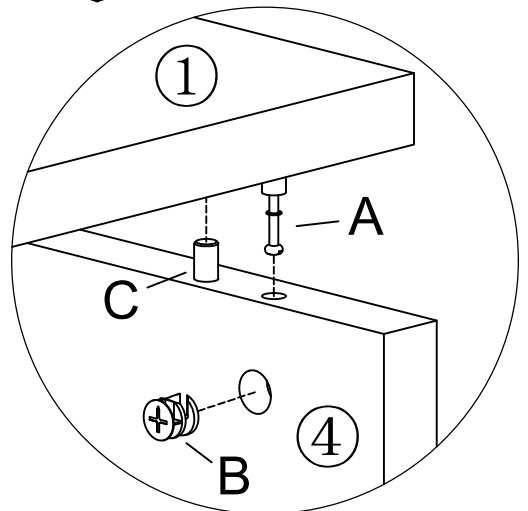
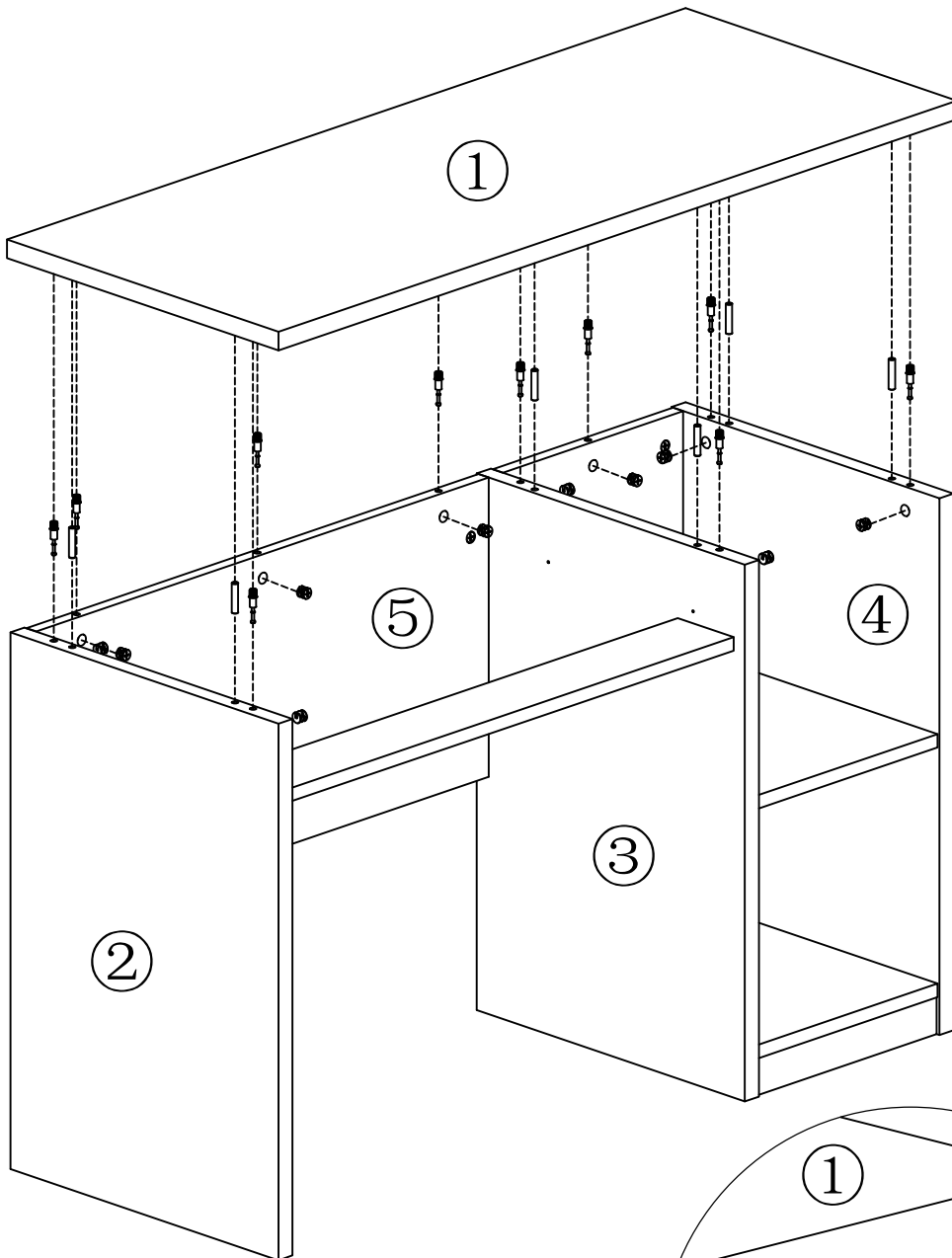
A Lock Pin (x10)



B Klix Cam (x10)

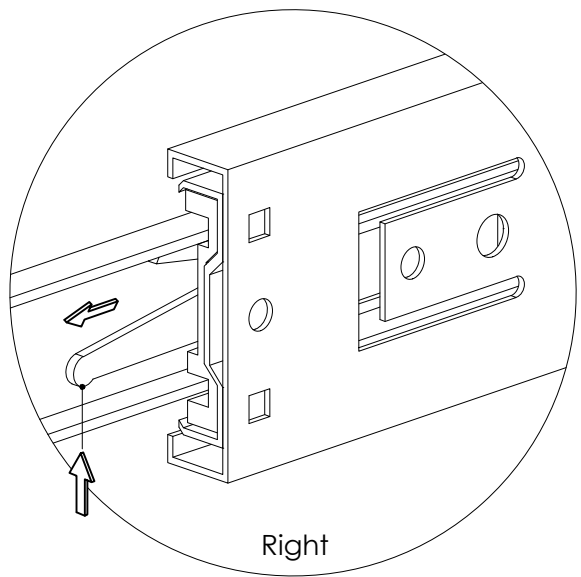
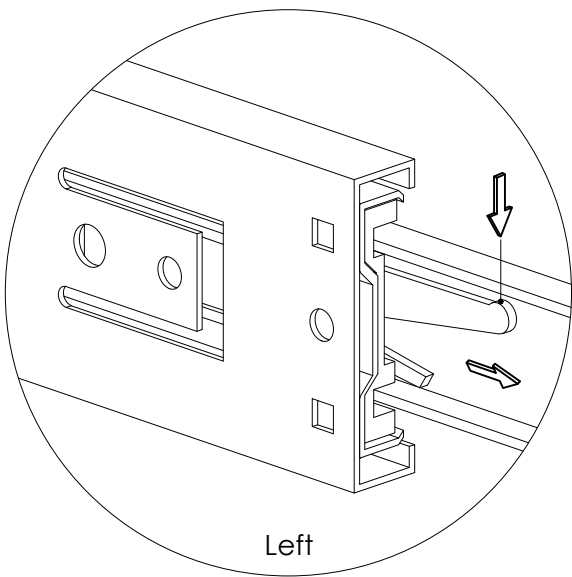
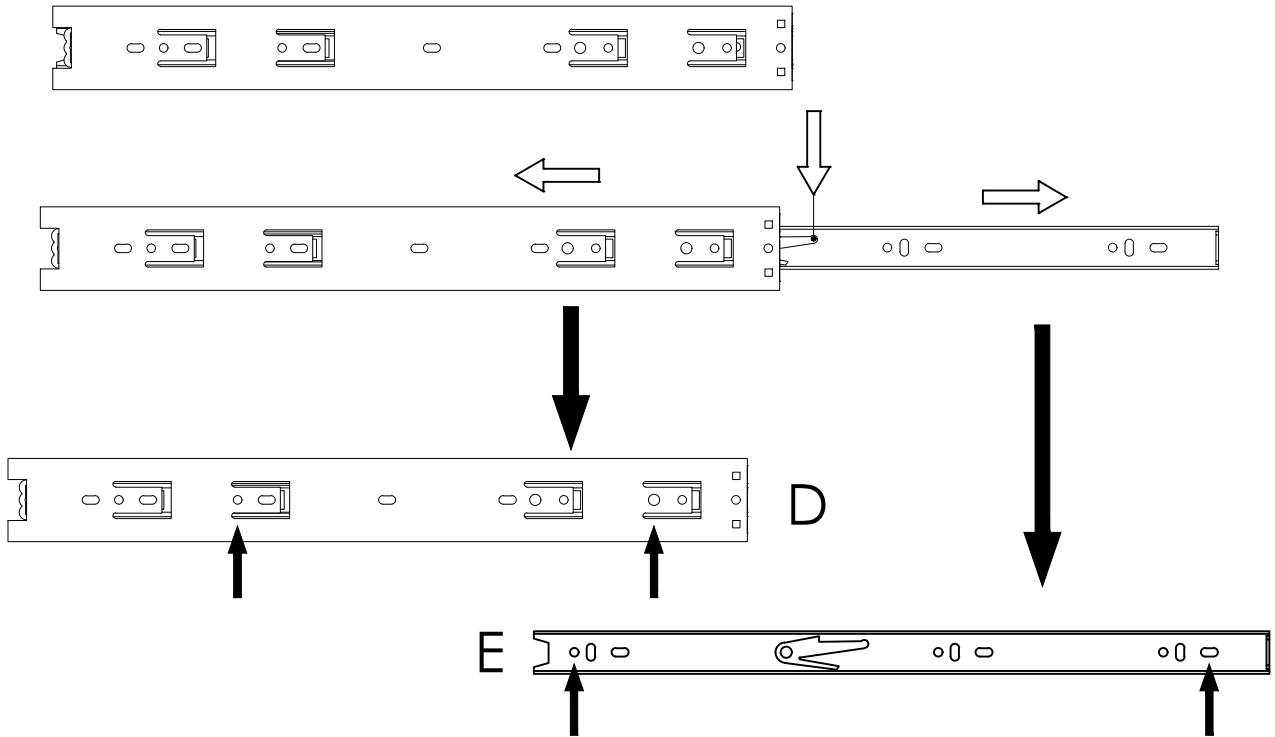


C Dowel (x6)



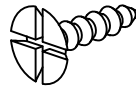
Assembly Instruction

10

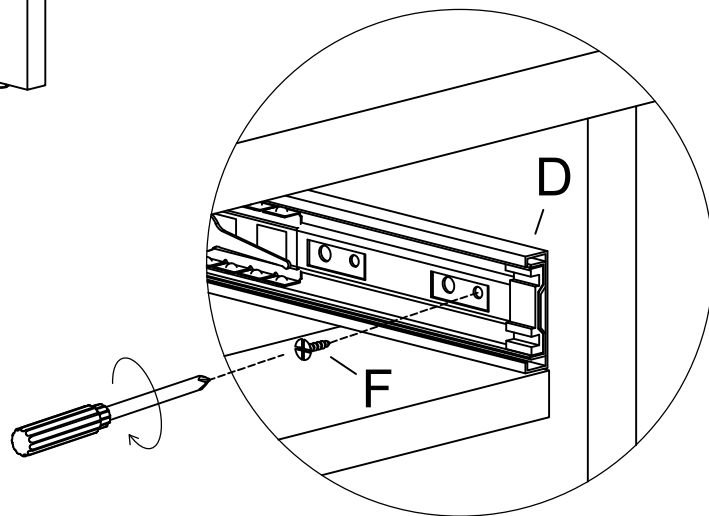
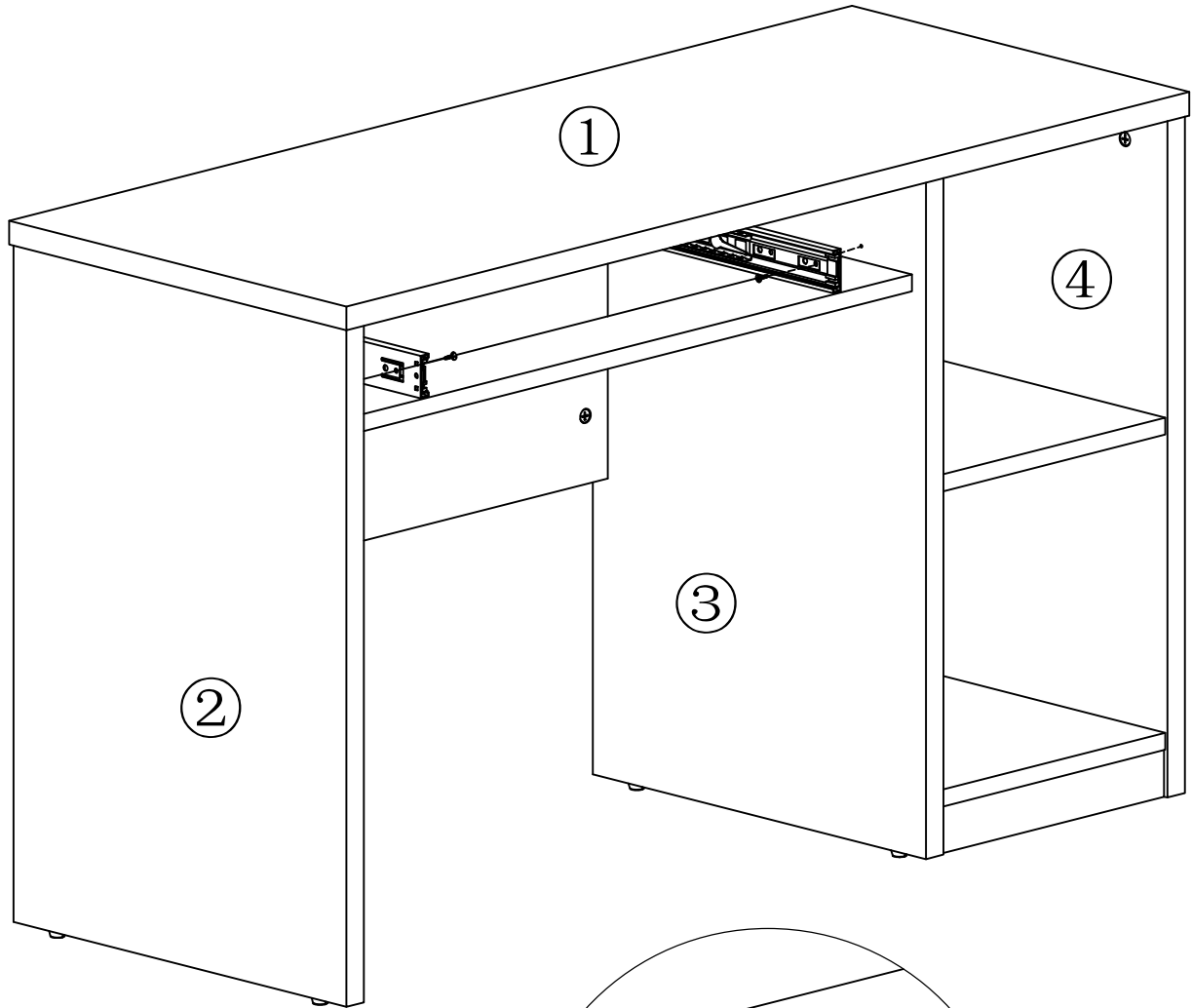


Assembly Instruction

11

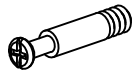


D Outer Slide rail (14") (x2) **F** Screw ST3.5*14 (x4)



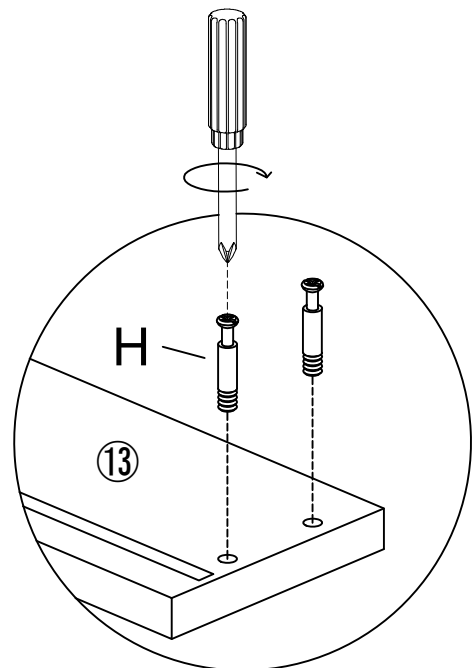
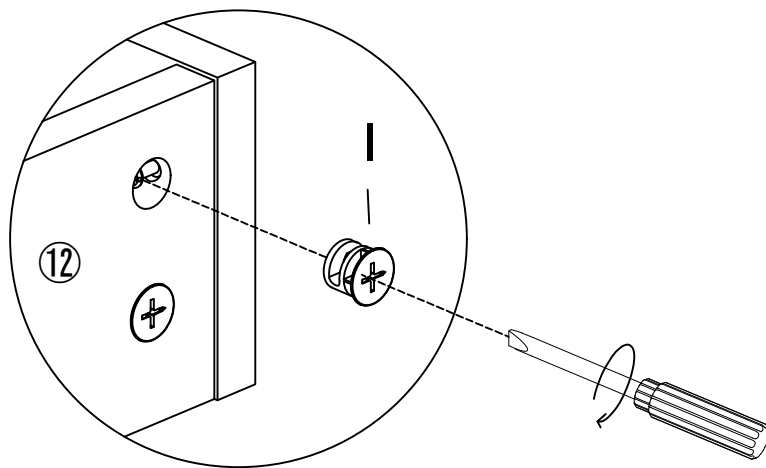
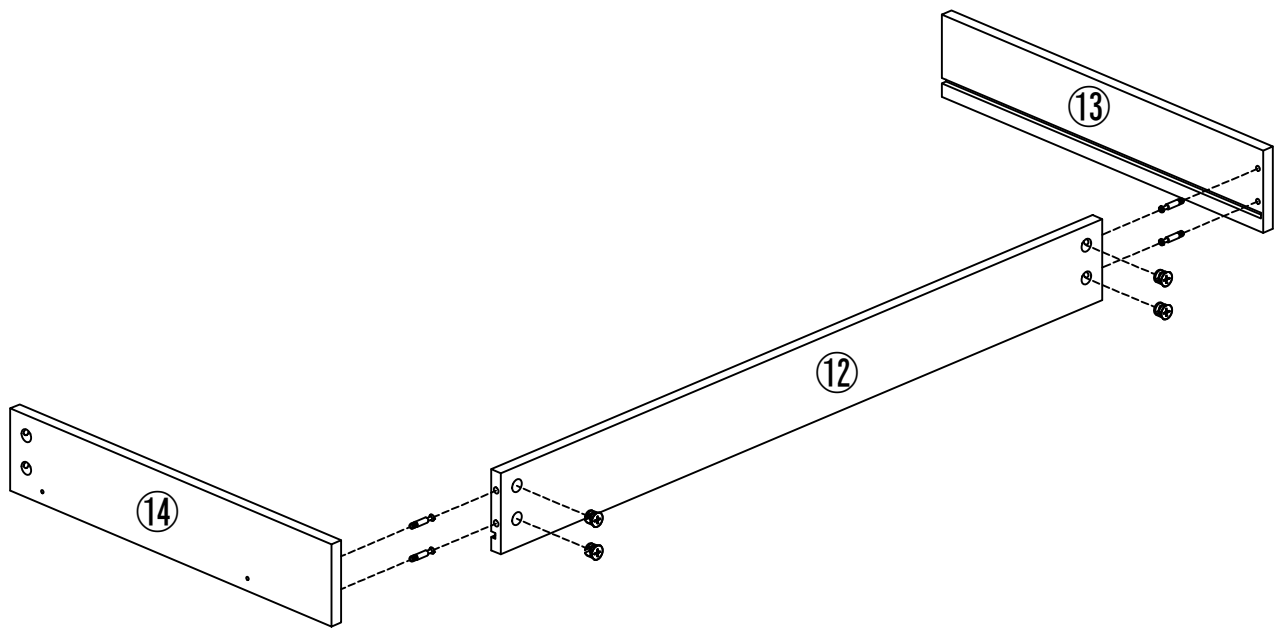
Assembly Instruction

12



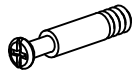
H Cam Screw (x4)

I Hidden Cam (x4)



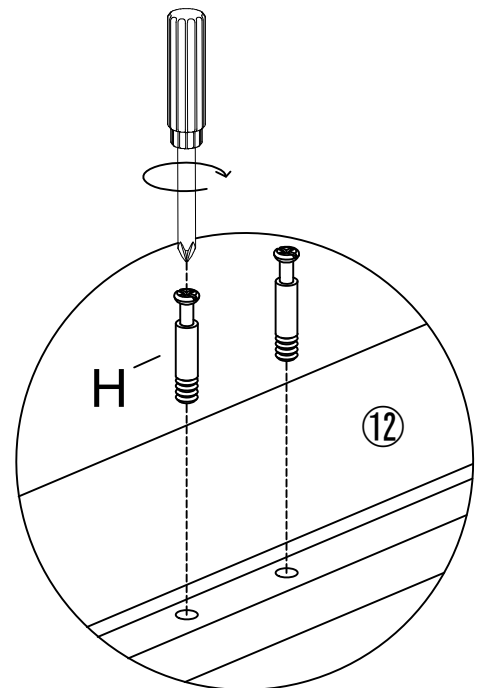
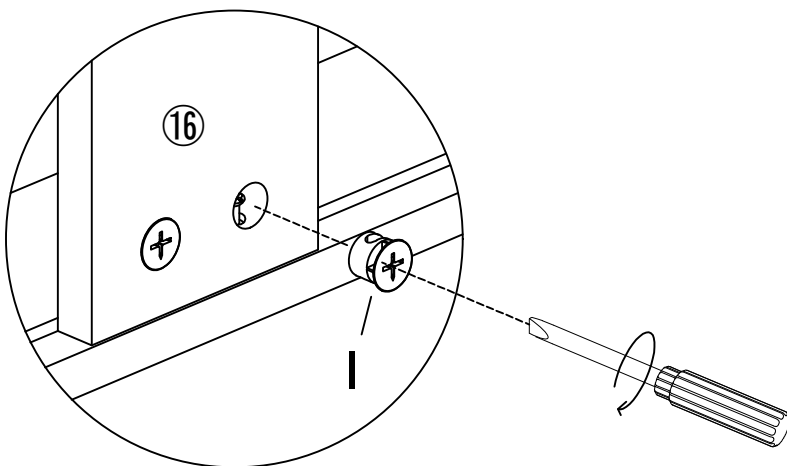
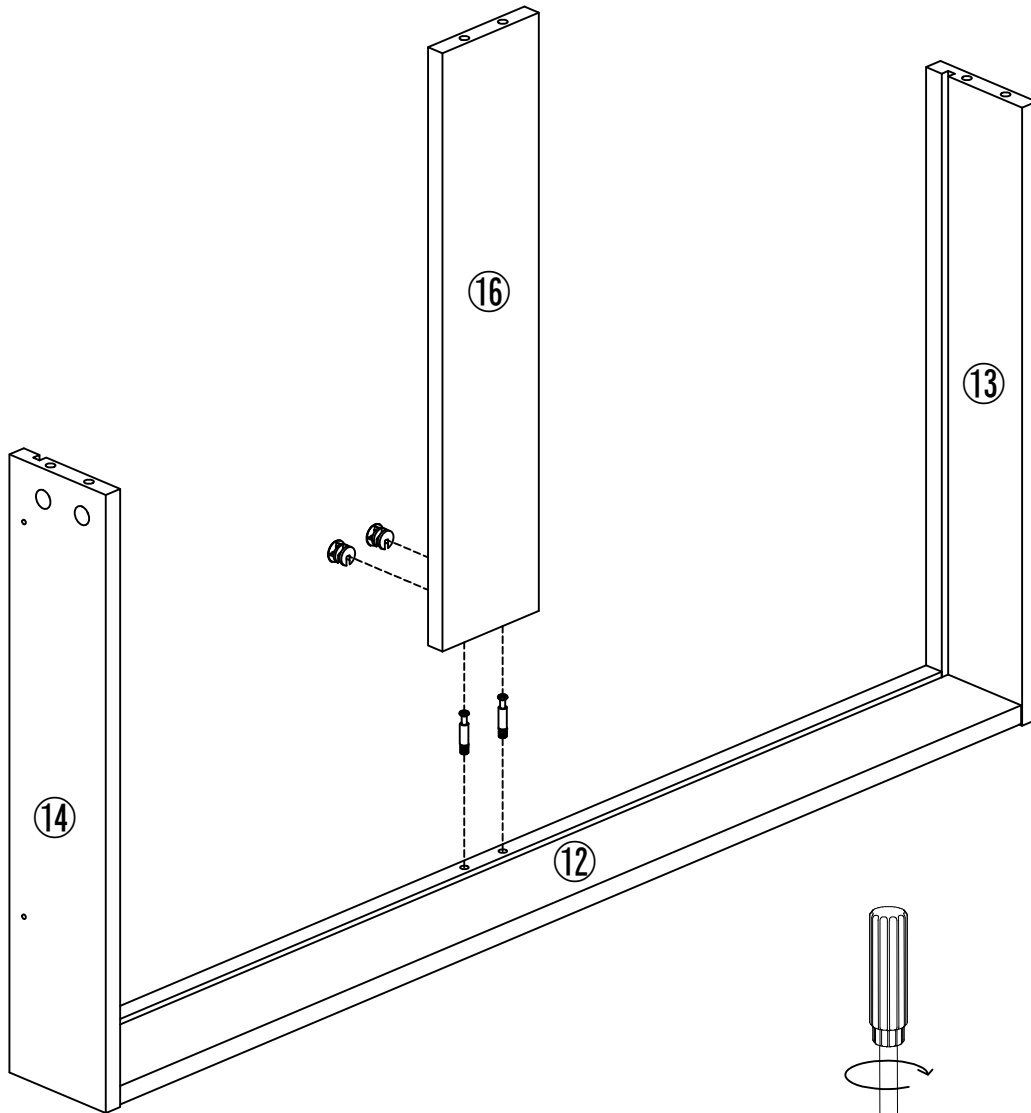
Assembly Instruction

13

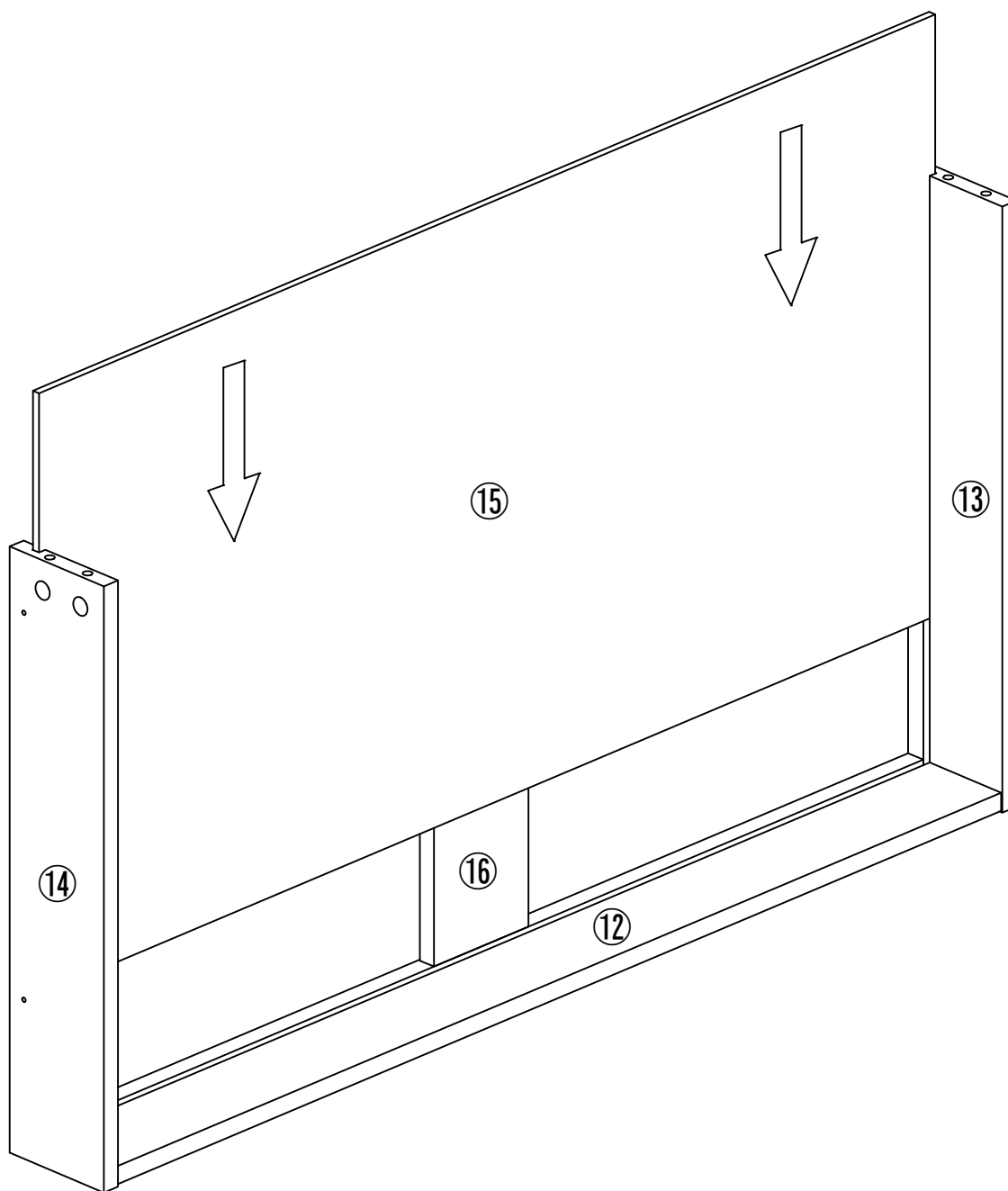


H Cam Screw (x2)

I Hidden Cam (x2)

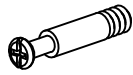


14



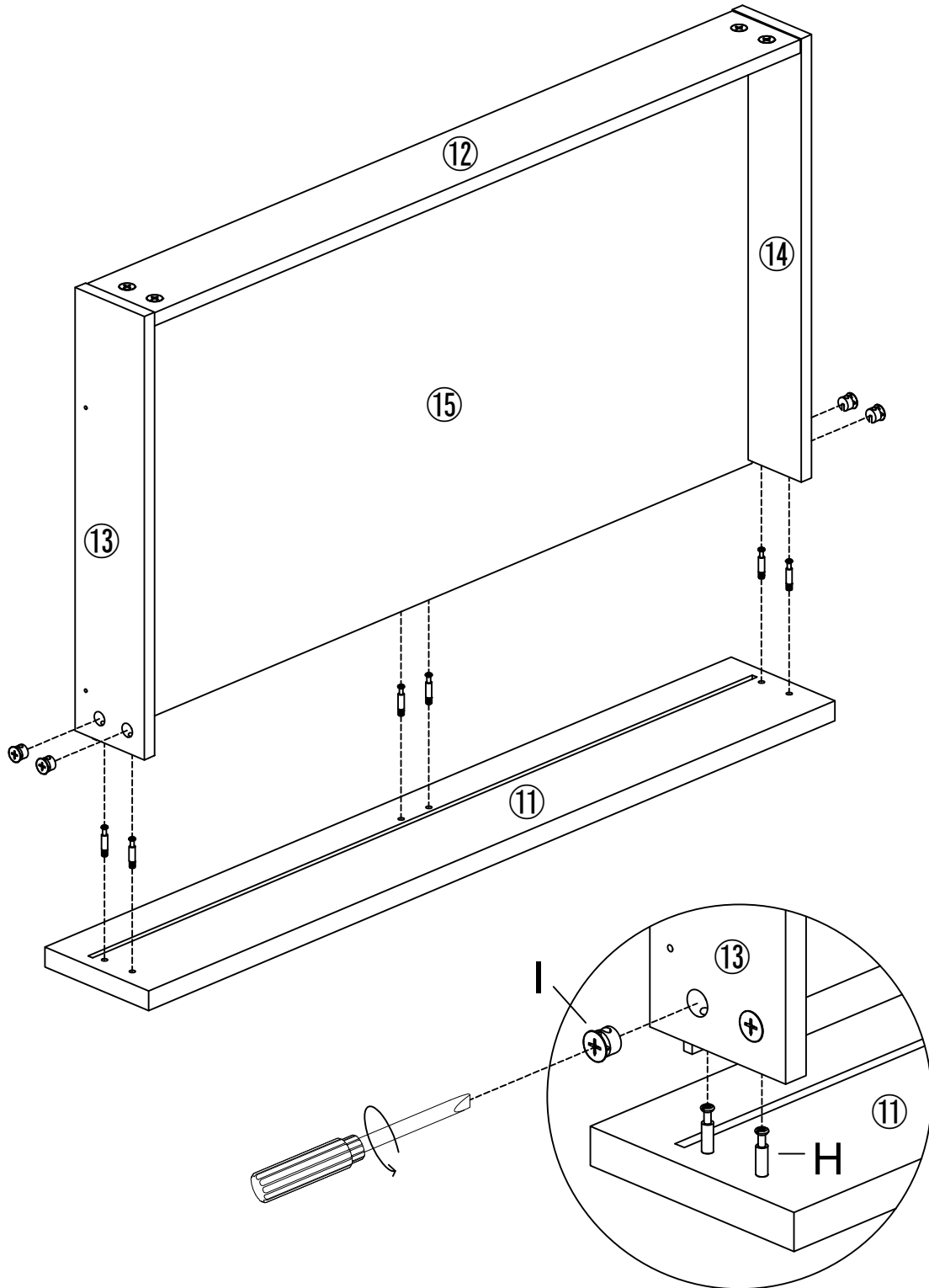
Assembly Instruction

15



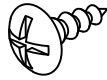
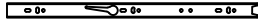
H Cam Screw (x6)

I Hidden Cam (x6)



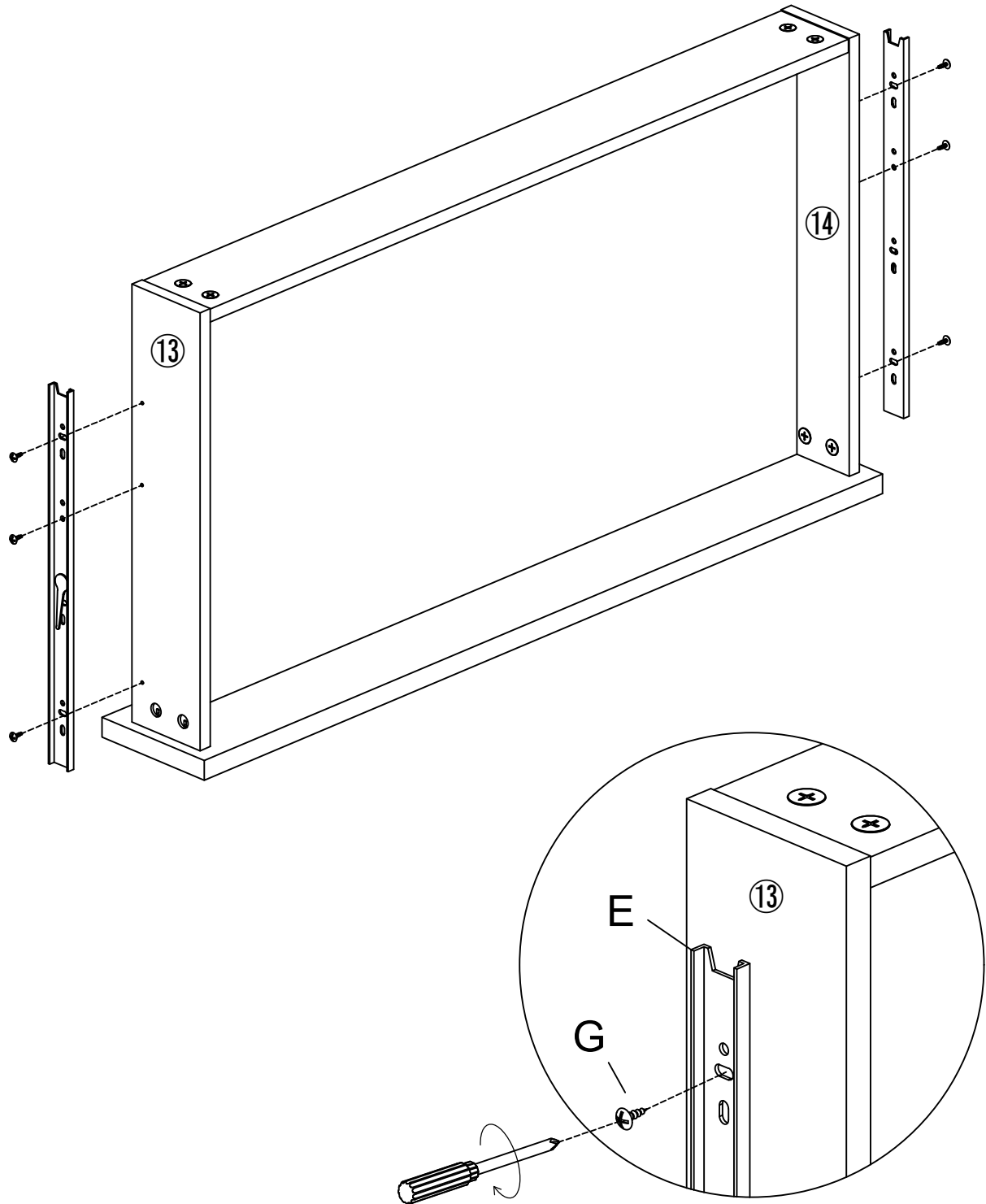
Assembly Instruction

16



E Inner Slide rail (14") (x2)

G Screw ST4*10 (x6)

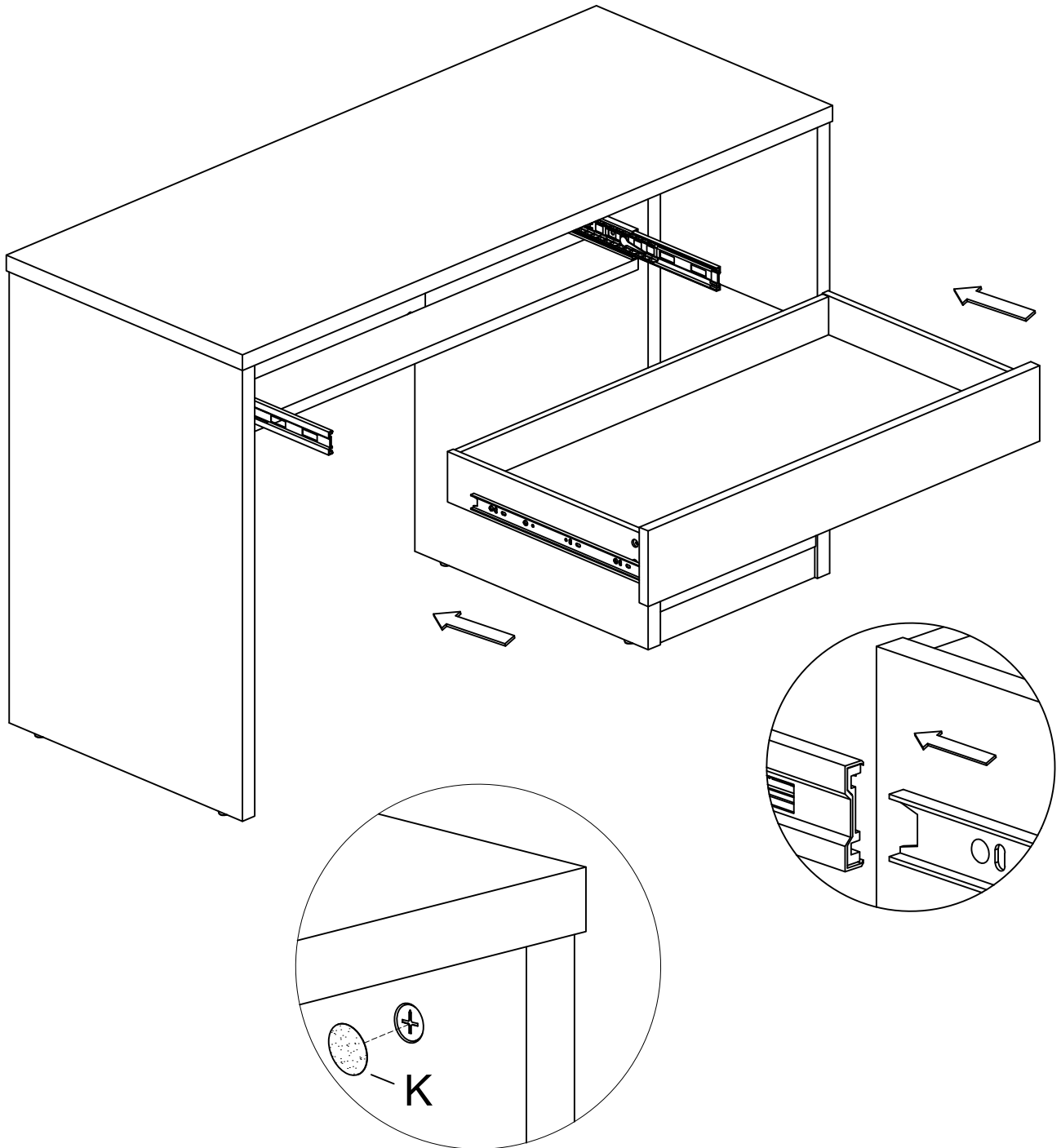


Assembly Instruction

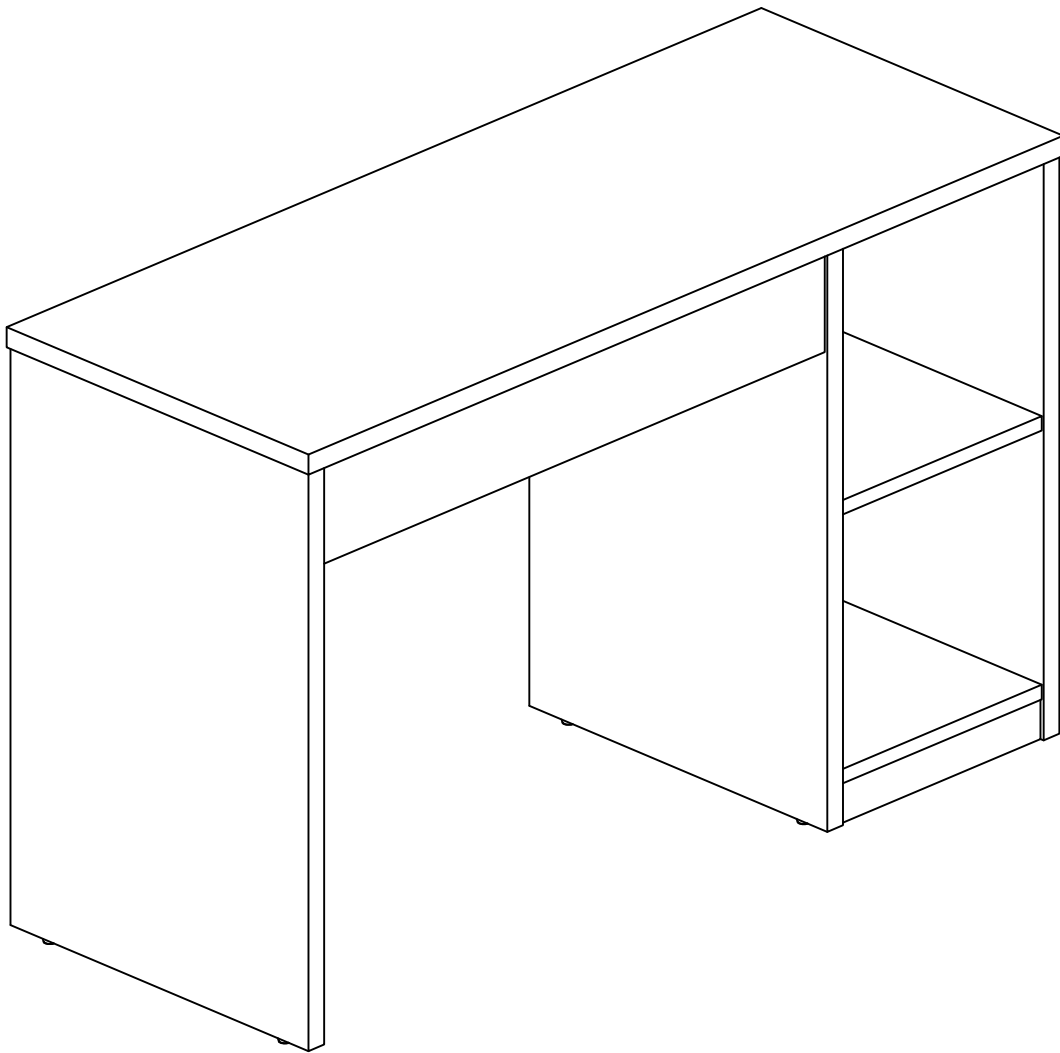
17



K Screw Cover (x35)



18



COMPLETED ASSEMBLY